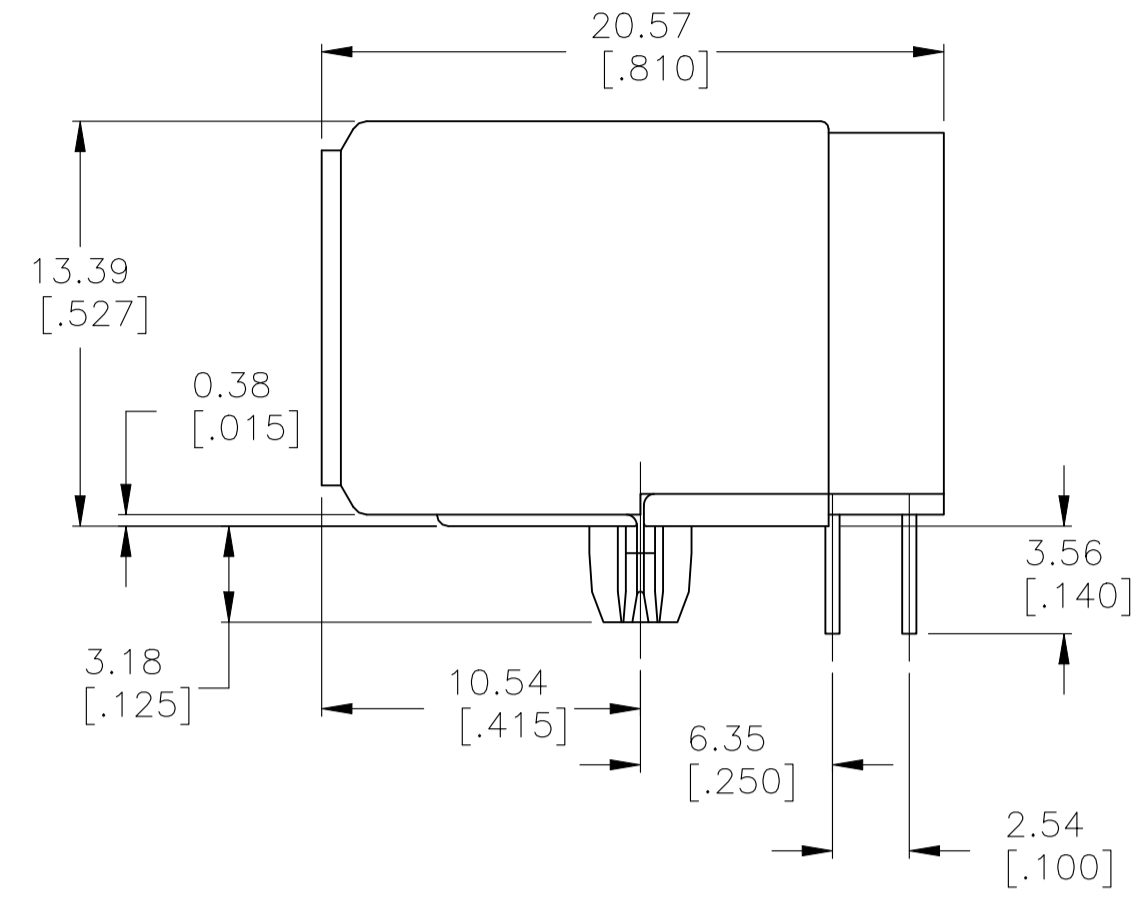
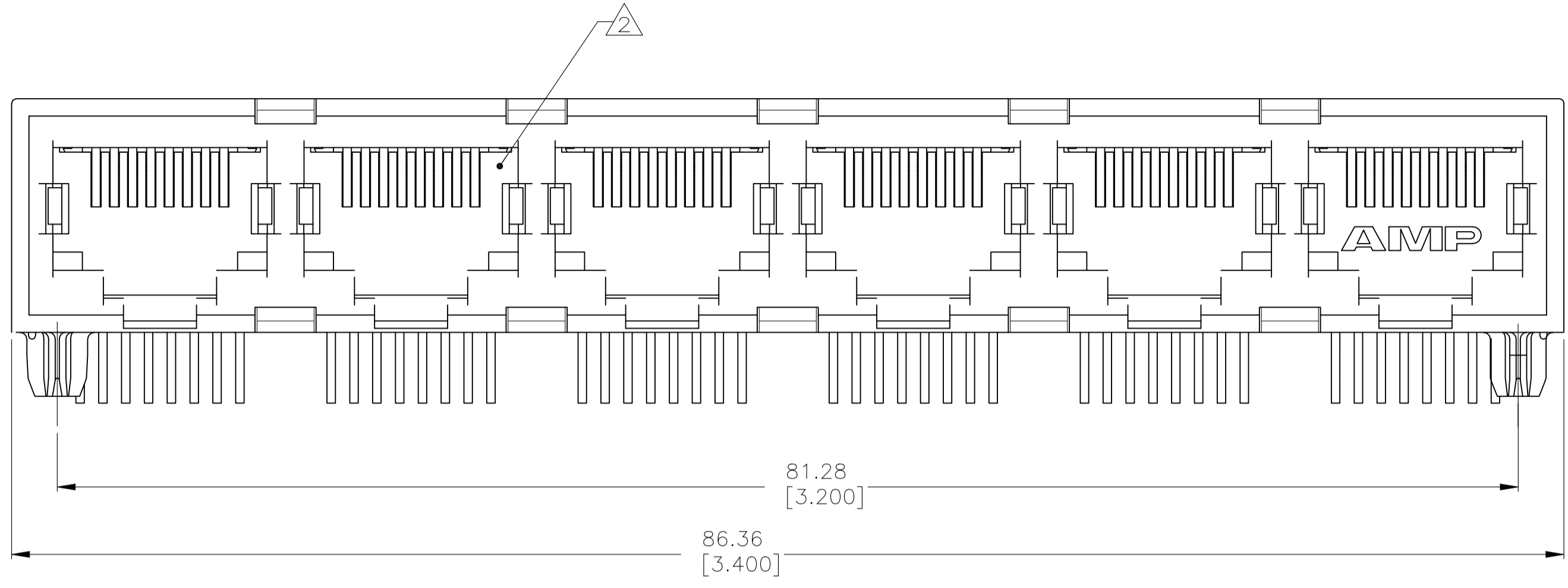


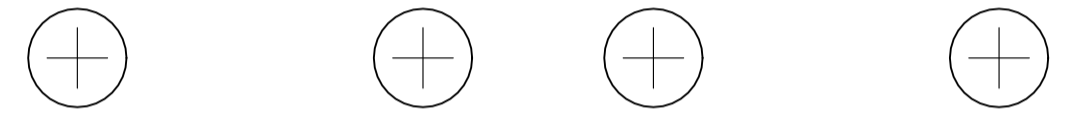
REVISIONS					
REV	DATE	DESCRIPTION	BY	CHK	APP'D
B1	13DEC2020	ECR-19-014657	RR	SZ	



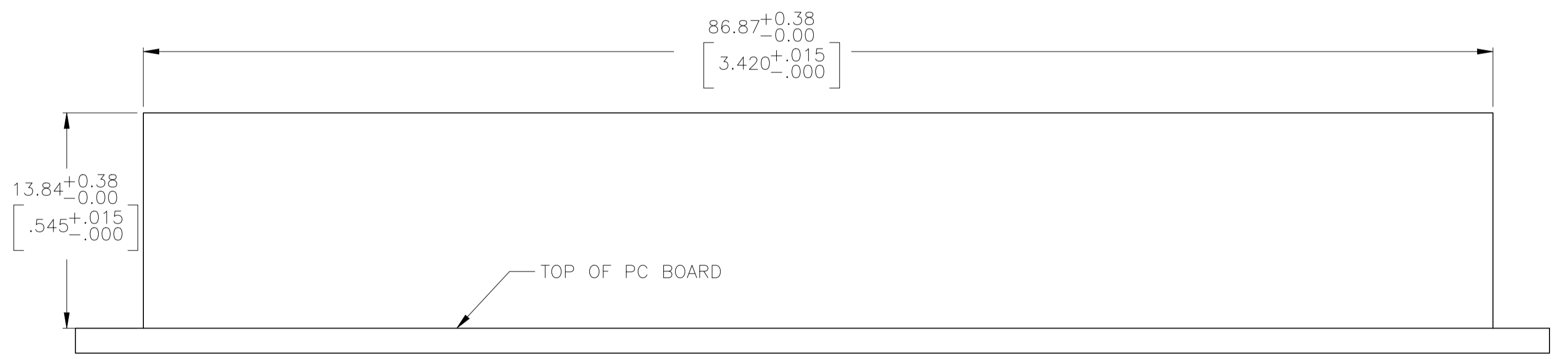
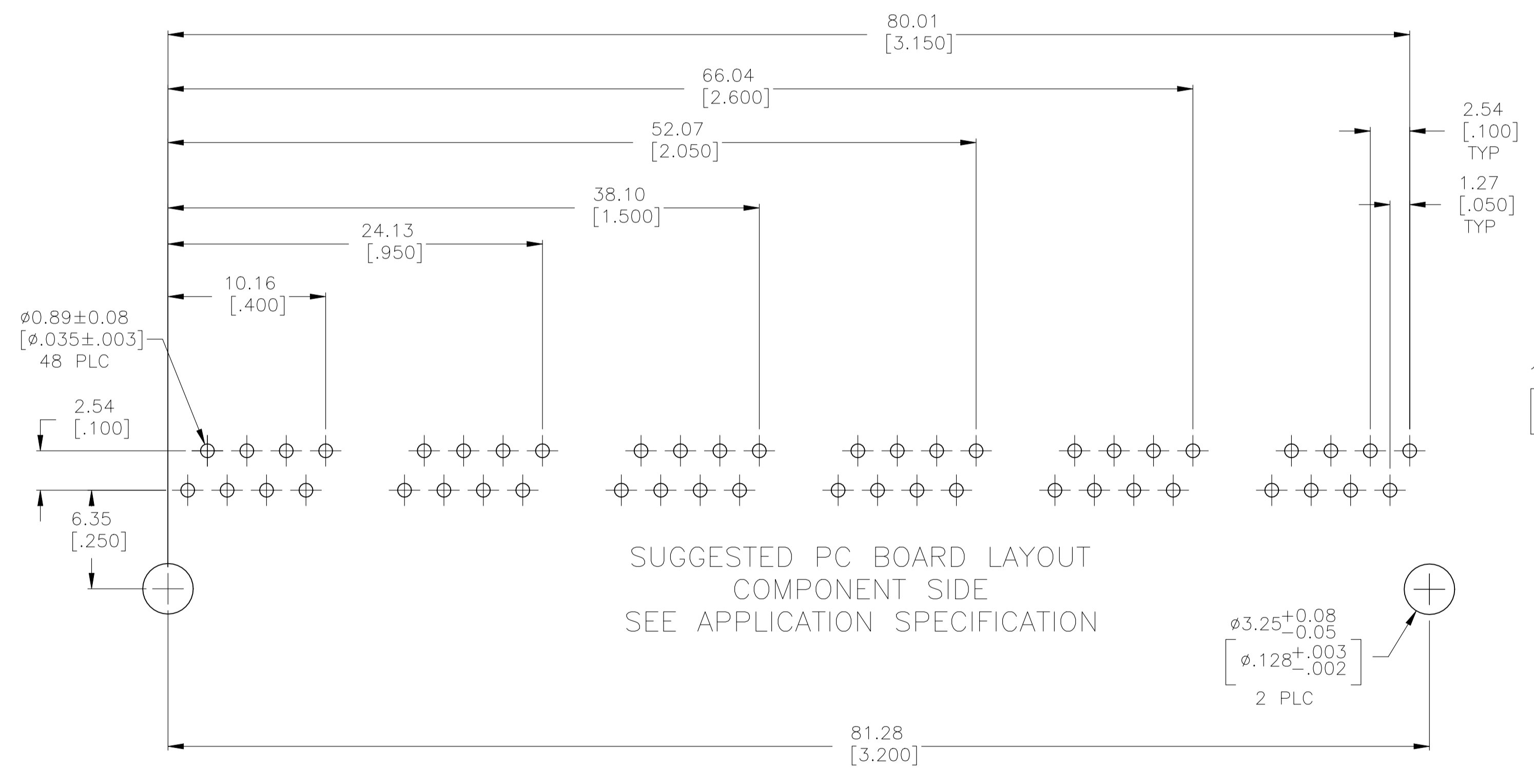
- MATERIAL: HOUSING—HIGH TEMPERATURE NYLON, BLACK, IR COMPATIBLE, UL 94V-0.
TERMINALS - 0.33 [.013] THICK PHOS BRONZE PLATED WITH 1.27µm [.000050] MINIMUM HARD GOLD IN LOCALIZED AREA AND 3.81µm [.000150] MINIMUM MATTE TIN IN SOLDER AREA OVER 1.27µm [.000050] MINIMUM NICKEL UNDERPLATE

△ JACK CAVITY CONFORMS TO FCC RULES AND REGULATIONS, PART 68 SUBPART F.

△ CAUTION: CATEGORY 5 JACK SOLDER TAIL POSITIONS DO NOT FOLLOW SAME NUMBER SEQUENCE AS THAT OF THE TRADITIONAL JACKS.



TRADITIONAL JACK △ CATEGORY 5 & 5e JACK



5558501-1
PART NO.

THIS DRAWING IS A CONTROLLED DOCUMENT.		DIN W. LONG/L.A.MAYER 03NOV2006		CHK J.WESTMAN 03NOV2006		APVD S.FLICKINGER 03NOV2006		NAME		TE Connectivity	
DIMENSIONS: mm [INCHES]		TOLERANCES UNLESS OTHERWISE SPECIFIED:		PRODUCT SPEC		APPLICATION SPEC		SIZE		RESTRICTED TO	
0 PLC ± -		1 PLC ± -		108-1392		114-2048		A1		-	
2 PLC ± 0.25 [.010]		3 PLC ± -		100779		00779		5558501		-	
4 PLC ± -		ANGLES ± -		CUSTOMER DRAWING		SCALE 4:1		SHEET 1 of 1		REV B1	