

10 9 8 7 6 5 4 3 2 1

F

F

E

E

D

D

C

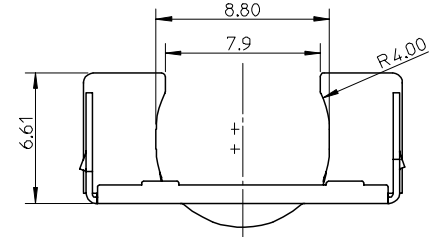
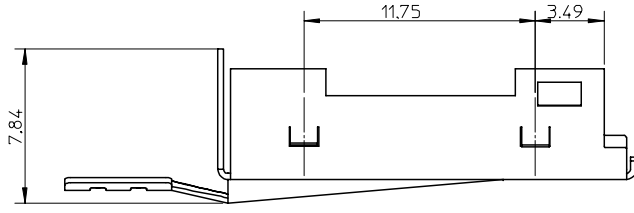
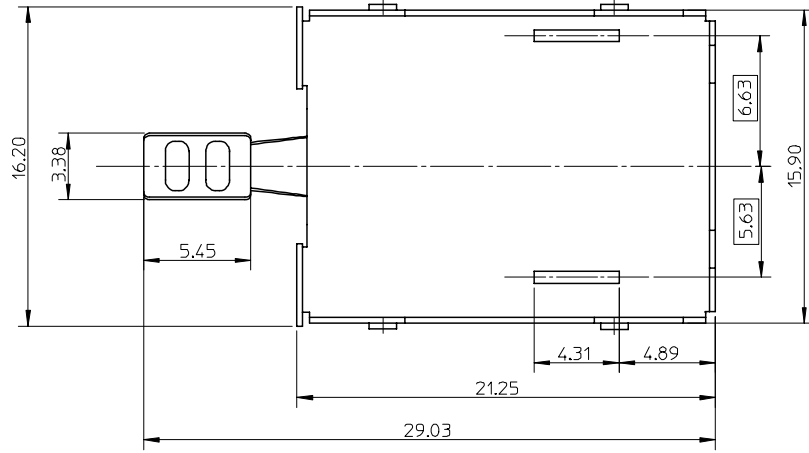
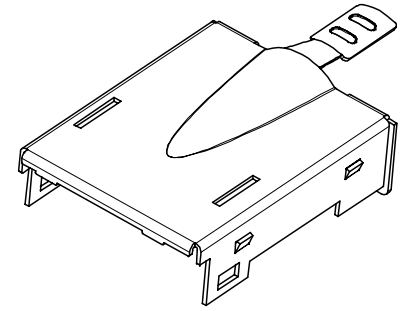
C

B

B

A

A



- NOTES:
1. THIS PART IS WITH LATCHES TYPE
 2. MATERIAL : 0.30MM THICKNESS COPPER ALLOY.
 3. PLATING : NICKEL 2.0 MICROMETER MIN OVERALL.

NEW RELEASE
 EC NO: SH2007-0705
 2007/04/27
 DRWN:HHE
 2007/04/30
 CHKD:
 APPR: JNCHEN
 2007/05/10

QUALITY SYMBOLS	DESCRIPTION
▽=0	
∇=0	
REV	

GENERAL TOLERANCES (UNLESS SPECIFIED)	
	mm INCH
4 PLACES	± --- ± ---
3 PLACES	± --- ± ---
2 PLACES	± 0.15 ± ---
1 PLACE	± 0.15 ± ---
ANGULAR ± 2 °	
DRAFT WHERE APPLICABLE MUST REMAIN WITHIN DIMENSIONS	

DIMENSION STYLE		SCALE	DESIGN UNITS	THIRD ANGLE PROJECTION
MM ONLY		4:1	METRIC	
DRAWN BY	DATE	TITLE		
QWFANG	2006/09/05	INNER-SHELL-UPPER FOR DISPLAYPORT		
CHECKED BY	DATE			
IWANG	2006/09/05	MOLEX INCORPORATED		
APPROVED BY	DATE			
JNCHEN	2006/09/05	MATERIAL NO. 47271-1008 DOCUMENT NO. SD-47271-008 SHEET NO. 1 OF 2		
SIZE A3				

MOLEX INCORPORATED	
THIS DRAWING CONTAINS INFORMATION THAT IS PROPRIETARY TO MOLEX INCORPORATED AND SHOULD NOT BE USED WITHOUT WRITTEN PERMISSION	

9 8 7 6 5 4 3 2 1

10 9 8 7 6 5 4 3 2 1

F

F

E

E

D

D

C

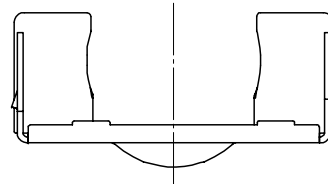
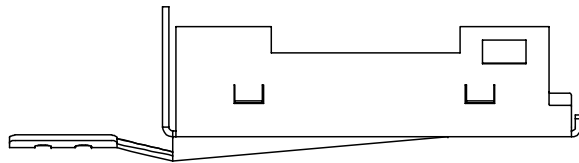
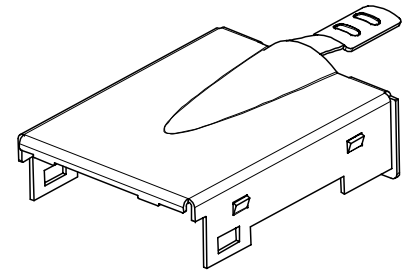
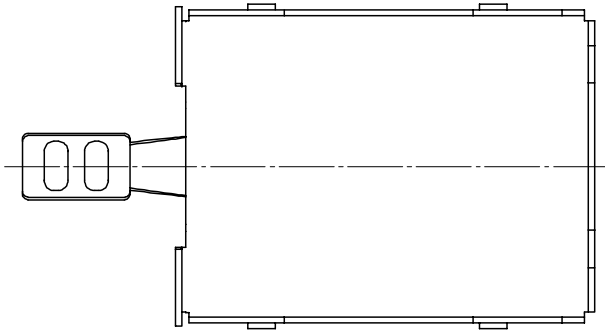
C

B

B

A

A



NOTES:
THIS PART IS WITHOUT LATCHES TYPE.
UNSPECIFIED DIMENSIONS ARE SAME AS SHEET 1.

SEE SHEET 1 EC NO: SH2007-0705 DRWN: HHE CHKD: APPR: JNCHEN 2007/04/27 2007/05/10	DESCRIPTION REV	QUALITY SYMBOLS ▽=0 ◻=0	GENERAL TOLERANCES (UNLESS SPECIFIED)		DIMENSION STYLE MM ONLY		SCALE 4:1	DESIGN UNITS METRIC	THIRD ANGLE PROJECTION		
		4 PLACES ± --- ± ---	mm INCH	DRAWN BY QWFANG	DATE 2006/09/05	TITLE INNER-SHELL-UPPER FOR DISPLAYPORT					
		3 PLACES ± --- ± ---	2 PLACES ± 0.15 ± ---	CHECKED BY IWANG	DATE 2006/09/05						
		1 PLACE ± 0.15 ± ---	ANGULAR ± 2 °	APPROVED BY JNCHEN	DATE 2006/09/05	MATERIAL NO. 47271-3008		DOCUMENT NO. SD-47271-008		SHEET NO. 2 OF 2	
DRAFT WHERE APPLICABLE MUST REMAIN WITHIN DIMENSIONS			SIZE A3		THIS DRAWING CONTAINS INFORMATION THAT IS PROPRIETARY TO MOLEX INCORPORATED AND SHOULD NOT BE USED WITHOUT WRITTEN PERMISSION						

9 8 7 6 5 4 3 2 1