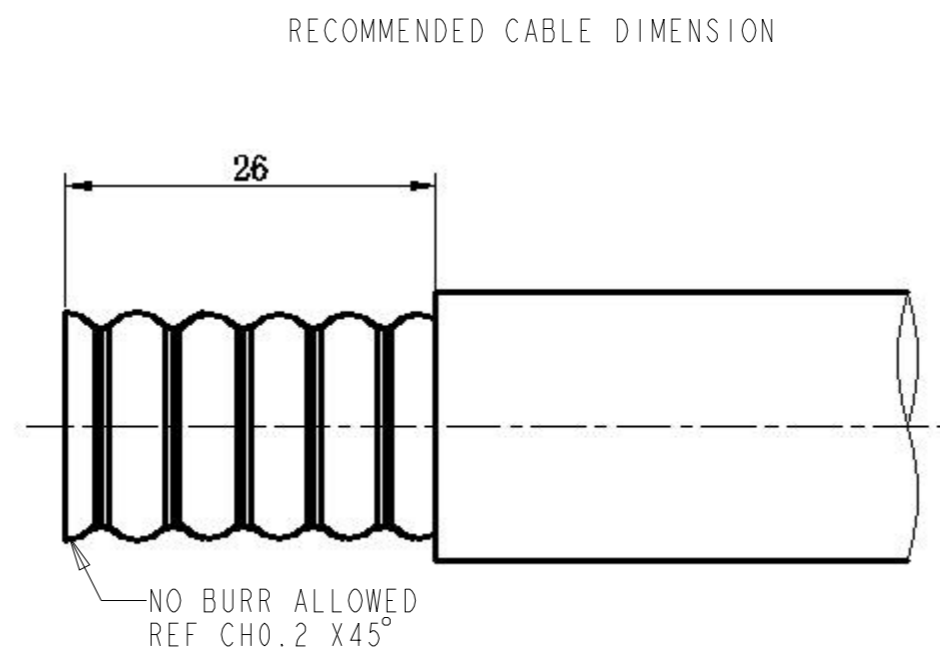
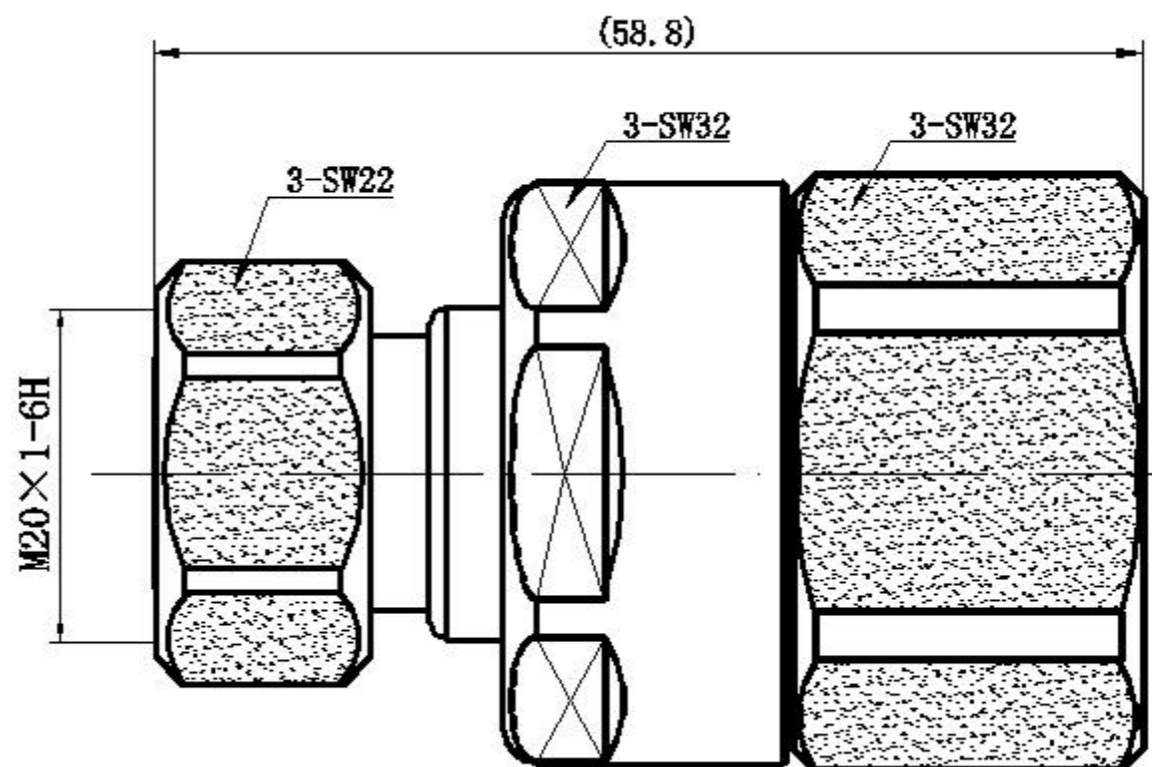


ELECTRICAL	
IMPEDANCE	<u>50 Ohm</u>
FREQUENCY RANGE	<u>DC to 6GHz</u>
INSERTION LOSS:	<u>Max. 0.05*SQRT(F) dB</u>
VSWR:	<u>Max. 1.15@0-3GHz</u>
DIELECTRIC WITHSTAND VOLTAGE:	
	<u>Max. 2500 V RMS</u>
INSULATION RESISTANCE	<u>Min. 5000 Mohms</u>
PIM3:	<u>Max. -160dBc @2x20W, 900MHz, 1800MHz,</u> <u>2100MHz tested with cable</u>

MECHANICAL	
MATING CYCLES:	<u>MIN. 100 CYCLES</u>
RECOMMENDED TORQUE:	<u>5Nm</u>
CABLE PULLING:	<u>1000N MIN.</u>
CABLE TORSION:	<u>5Nm MIN.</u>

ENVIRONMENTAL	
TEMPERATURE RANGE:	<u>-40°~+85°C</u>
SALT SPRAY:	<u>96H</u>
INTERFACE SEAL:	<u>IP68(1m, 24h) MATED</u>
CLAMP SEAL:	<u>IP67(1m, 0.5h)</u>

P	LTR	DESCRIPTION	DATE	DWN	APVD



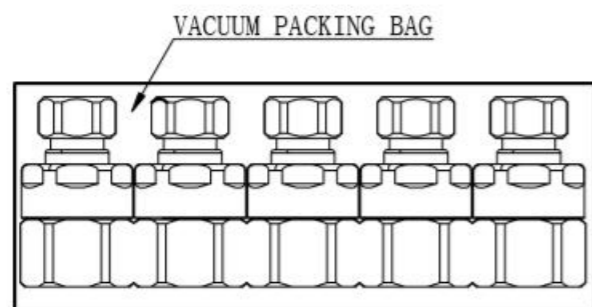
NOTE:  
1. INTERFACE ACCORDING TO IEC 61169-54

P/N	PART NAME	MATERIAL	PLATING
2081972-1	CENTER CONTACT	BRONZE	SILVER
	OUTER CONTACT	BRASS	WHITE BRONZE
	INSULATOR	PTFE	
	O-RING	SILICONE RUBBER	
	OTHERS	BRASS	NICKEL

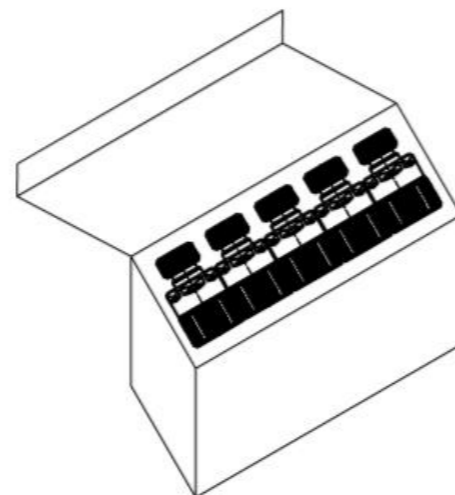
THIS DRAWING IS A CONTROLLED DOCUMENT.		DWN	JZ	10MAR2020	<b>TE</b> TE Connectivity				
DIMENSIONS: mm		CHK	RS	10MAR2020					
TOLERANCES UNLESS OTHERWISE SPECIFIED:		APVD	RS	10MAR2020	NAME 4.3-10 STRAIGHT PLUG, SCREW FOR 7/8 CABLE CLAMP TYPE				
0 PLC ±0.3		PRODUCT SPEC		108-115175	SIZE	CAGE CODE	DRAWING NO	RESTRICTED TO	
1 PLC ±0.2		APPLICATION SPEC		408-160016	A3	00779	©=2081972	-	
2 PLC ±0.2		WEIGHT		126g	SCALE 1:1			SHEET 1 OF 2	REV A
3 PLC ±0.2		CUSTOMER DRAWING							
4 PLC ±0.2									
ANGLES ±									
FINISH									
SEE TABLE									

REVISIONS

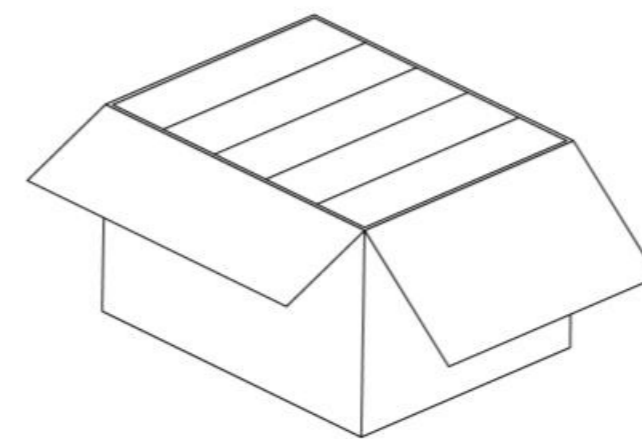
P	LTR	DESCRIPTION	DATE	DWN	APVD



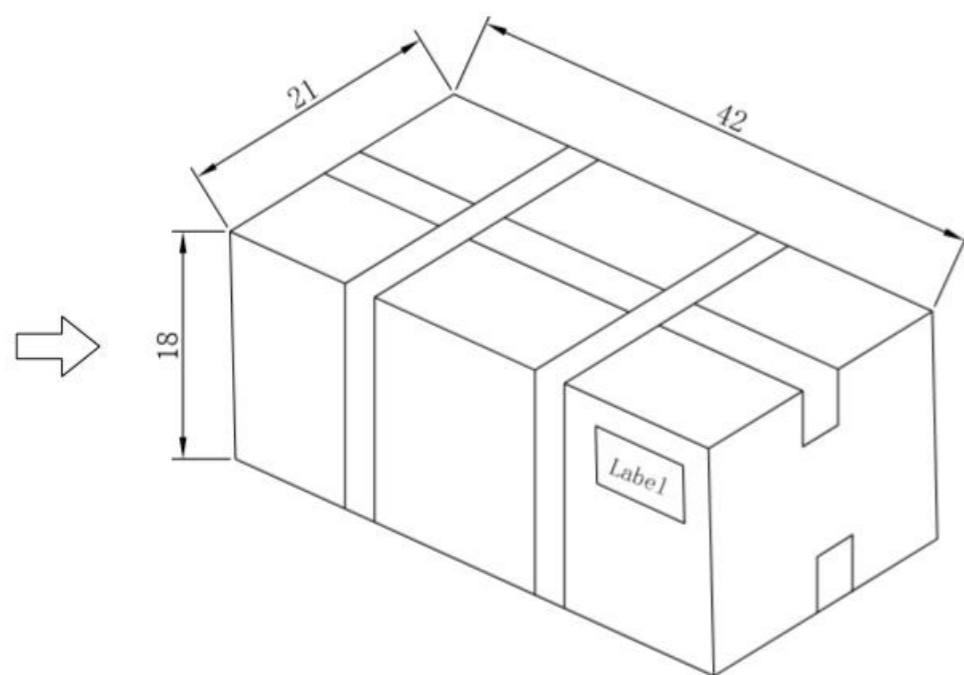
VACUUM PACKING (5PCS/BAG)



INNER BOX (10PCS/BOX)



OUTER BOX (100PCS/BOX)



PACKAGE

(BOX SIZE ONLY FOR REFERENCE, UNIT: CM)

THIS DRAWING IS A CONTROLLED DOCUMENT.		DWN JZ	10MAR2020		
DIMENSIONS: mm		CHK RS	10MAR2020		
TOLERANCES UNLESS OTHERWISE SPECIFIED:		APVD RS	10MAR2020	NAME 4.3-10 STRAIGHT PLUG, SCREW FOR 7/8 CABLE CLAMP TYPE	
		PRODUCT SPEC	108-115175	SIZE	A3
MATERIAL SEE TABLE		APPLICATION SPEC	408-160016	CAGE CODE	00779
FINISH SEE TABLE		WEIGHT	126g	DRAWING NO	G-2081972
-		CUSTOMER DRAWING	SCALE	1:1	SHEET
-				2	OF
-				2	REV
-					A