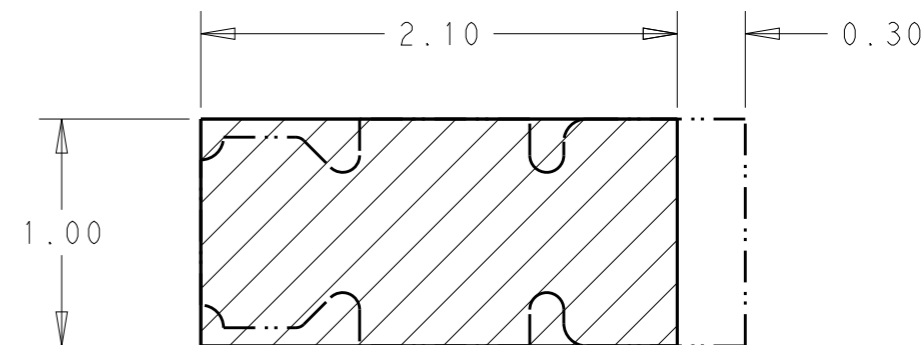
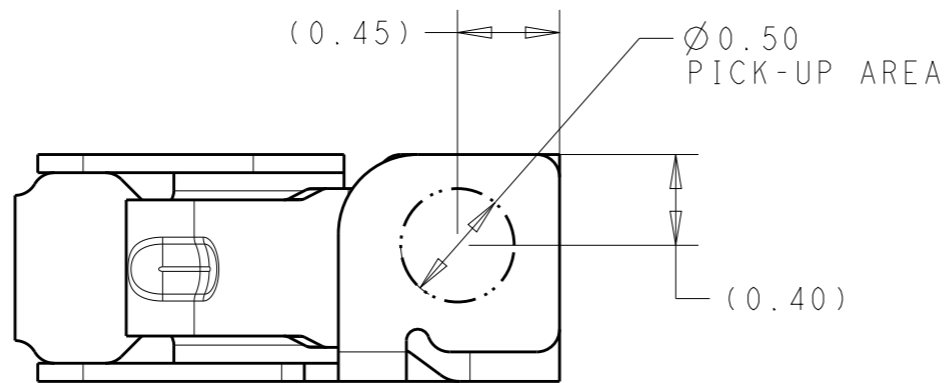


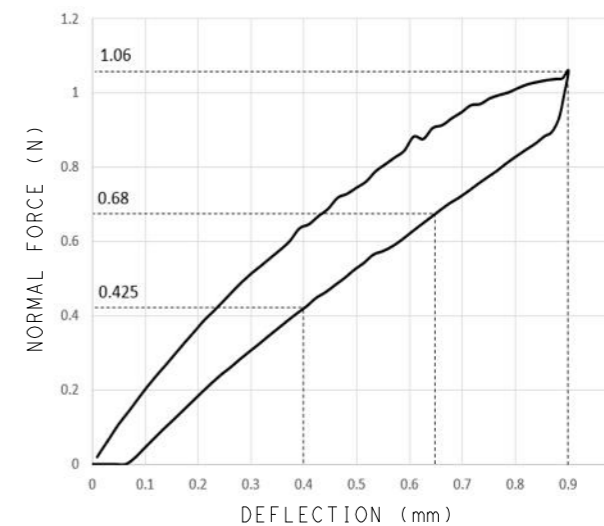
REVISIONS

P	LTR	DESCRIPTION	DATE	DWN	APVD
	A	REVISED	02SEP2016	J. J	W. H

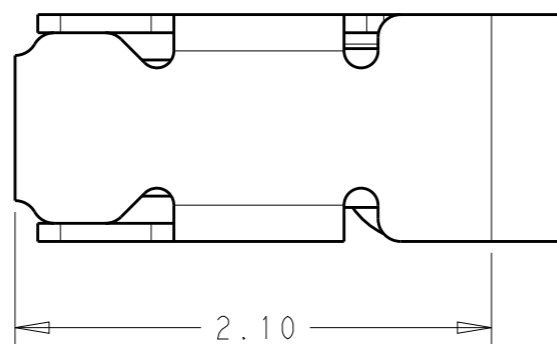
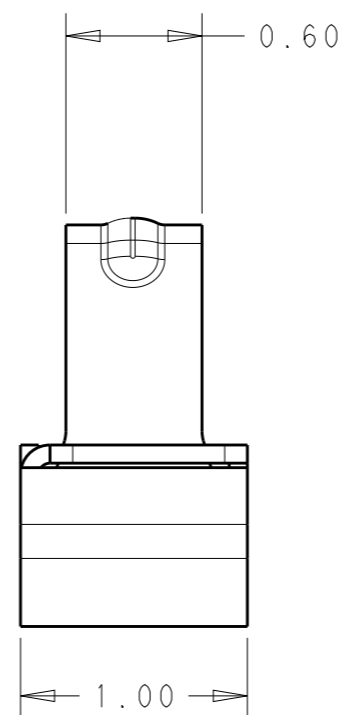
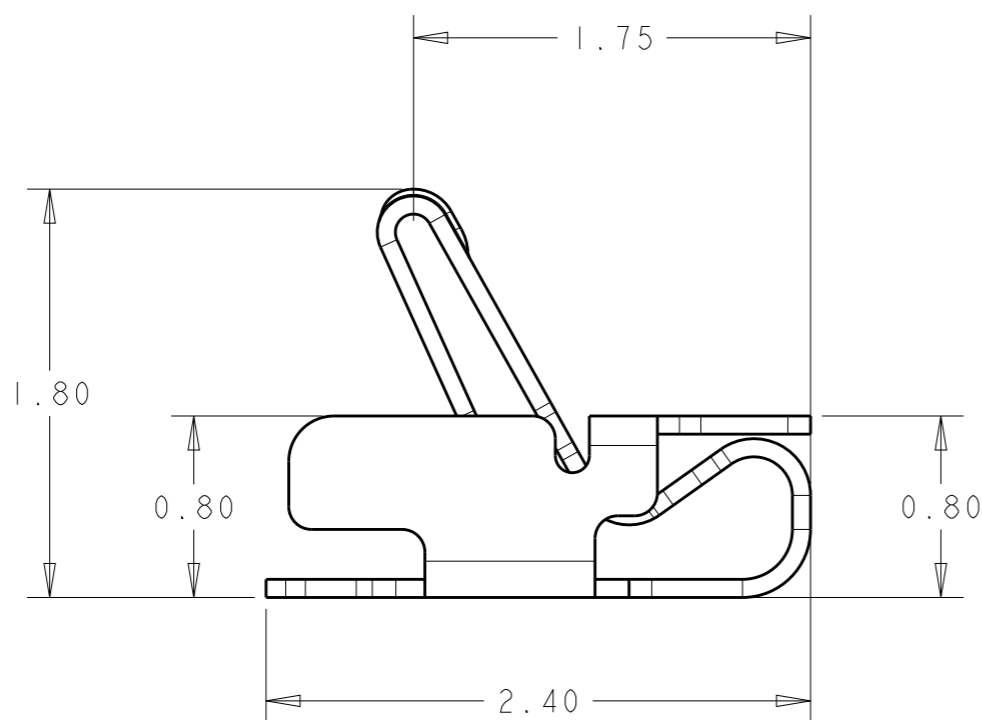
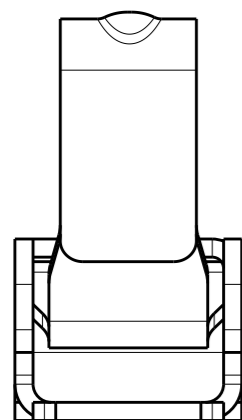


PRODUCT PROFILE  
 REFERENCE PCB LAYOUT  
 TOLERANCE ±0.05

NORMAL FORCE CURVE

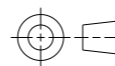


- 1 PART NUMBER: 2306654-3
- 2 MATERIAL: STAINLESS STEEL, THICKNESS=0.08MM.
- 3 PLATING: 2um MIN. NICKEL UNDERLAYER ALL OVER  
0.10um MIN. GOLD ON CONTACT SURFACE  
GOLD FLASH ON SOLDERING SURFACE
- 4 PICK AND PLACE SURFACE Ø0.5MM.
- 5 WORKING RANGE 1.15±0.25mm.



THIS DRAWING IS A CONTROLLED DOCUMENT.

DIMENSIONS:  
mm



TOLERANCES UNLESS OTHERWISE SPECIFIED:  
±0.2

Ø PLC	±
1 PLC	±0.1
2 PLC	±0.01
3 PLC	±0.001
4 PLC	±0.0001
ANGLES	±

MATERIAL  
SEE NOTE

FINISH  
SEE NOTE

DWN JONE JI 12JUL2016

CHK WENKE HE 12JUL2016

APVD WENKE HF 12JUL2016

PRODUCT SPEC

108-115120

APPLICATION SPEC

-

WEIGHT

-

CUSTOMER DRAWING



TE Connectivity

NAME  
SPRING FINGER 1.8H

-

SIZE

A3

CAGE CODE

-

DRAWING NO

©-2306654

RESTRICTED TO

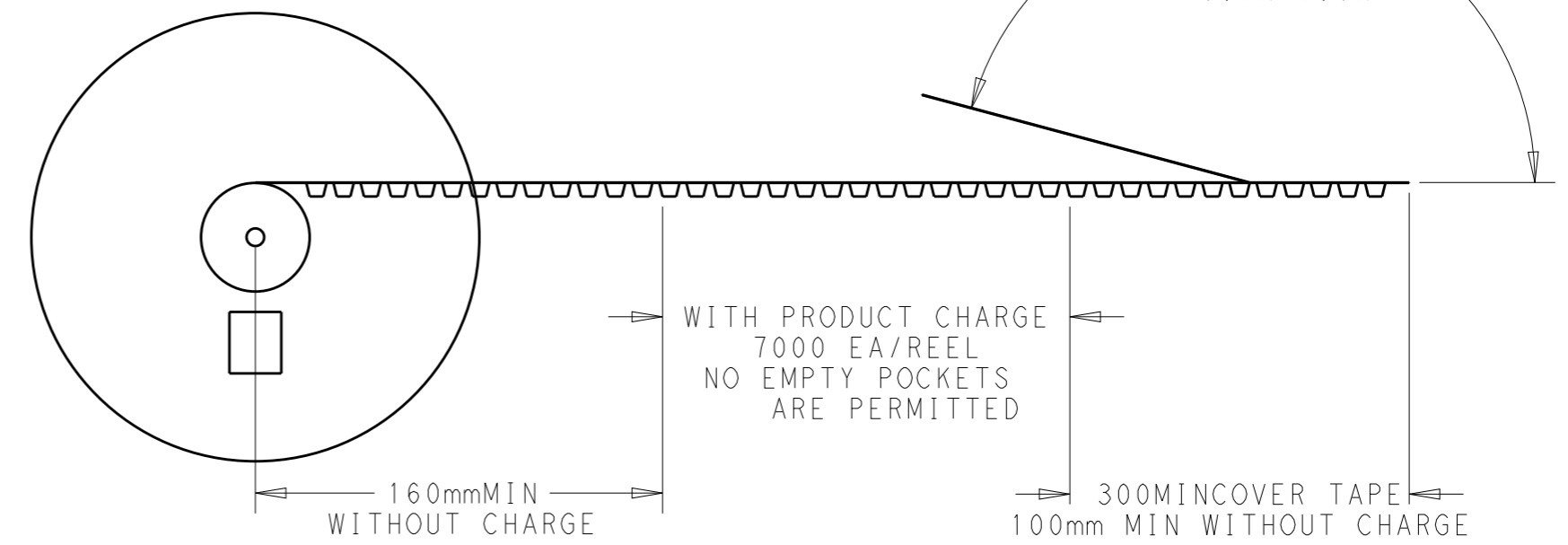
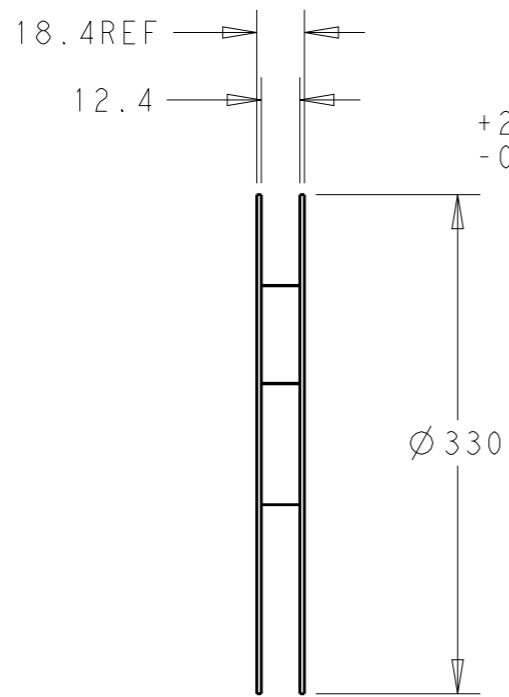
-

SCALE 20:1

SHEET 1 OF 2

REV A

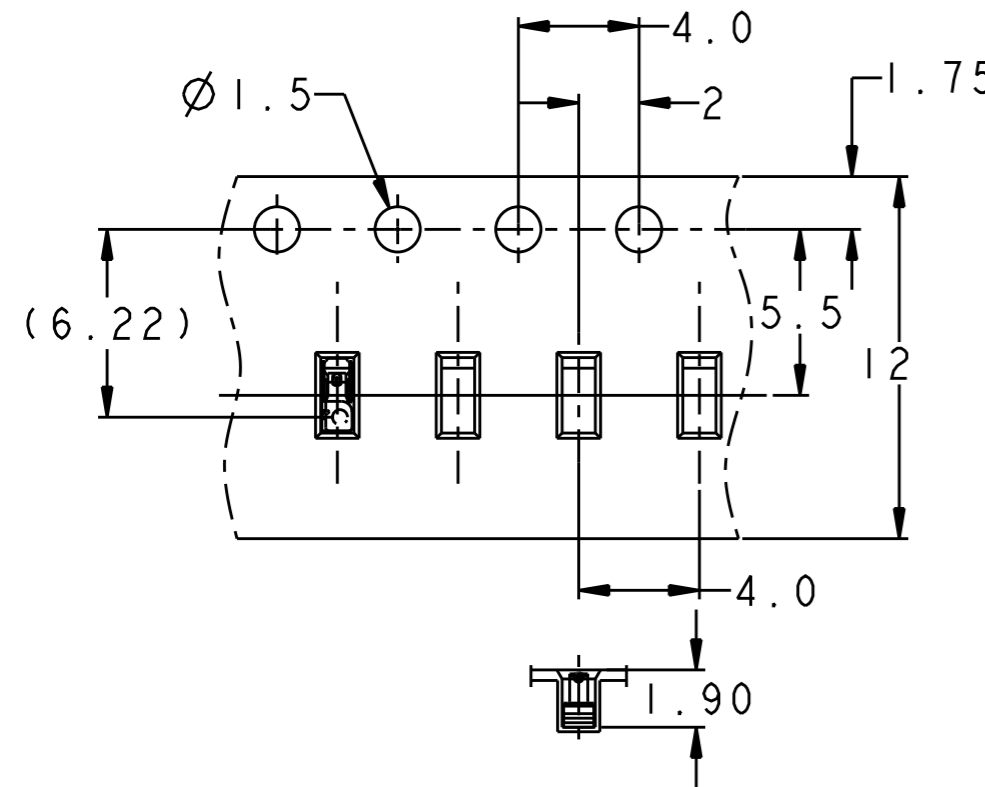
P	LTR	DESCRIPTION	DATE	DWN	APVD




WITH PRODUCT CHARGE  
7000 EA/REEL  
NO EMPTY POCKETS  
ARE PERMITTED

300MM MIN COVER TAPE  
100mm MIN WITHOUT CHARGE

➔ DIRECTION OF TOP OF REEL



PACKAGE FOR REFERENCE

THIS DRAWING IS A CONTROLLED DOCUMENT.		DWN JONE JI 12JUL2016	 TE Connectivity			
DIMENSIONS: mm		CHK WENKE HE 12JUL2016			NAME -	
TOLERANCES UNLESS OTHERWISE SPECIFIED: ±0.2		APVD WENKE HF 12JUL2016			PRODUCT SPEC -	
0 PLC ± 1 PLC ±0.1 2 PLC ±0.01 3 PLC ±0.001 4 PLC ±0.0001 ANGLES ±		APPLICATION SPEC -	SPRING FINGER 1.8H -			
MATERIAL SEE NOTE		WEIGHT -	SIZE A3	CAGE CODE -	DRAWING NO C-2306654	RESTRICTED TO -
FINISH SEE NOTE		CUSTOMER DRAWING	SCALE 1:1	SHEET 2 OF 2	REV A	