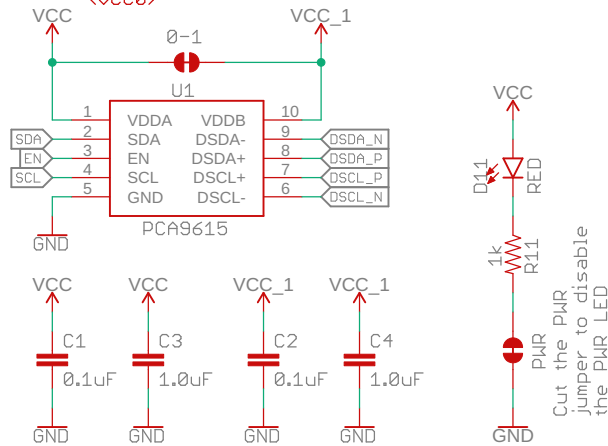


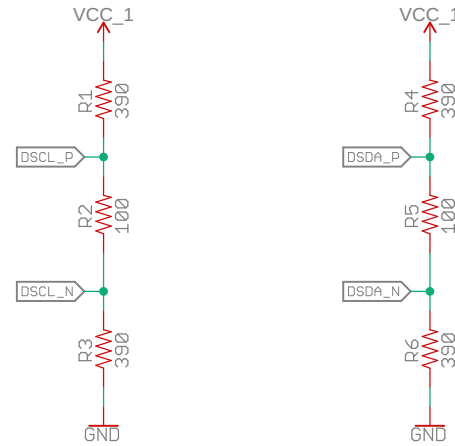
I2C -> Differential I2C

VIN: 3.0-5.5V
Cut 0-1 Jumper to provide separate voltage to UCC1 and UCC (UCC0)



UCC: I2C-bus side power supply (2.3V-5.5V)
UCC1: Differential side power supply (3.0V-5.5V)

Differential I2C Termination Resistors



Depending on load and distance requirements, there are several different ways to power the Midpoint/Endpoint combo.

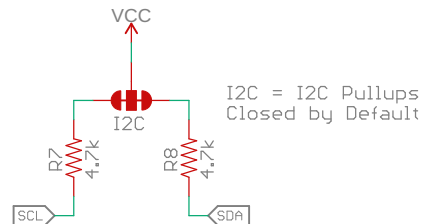
The default option powers the entire system using 3.3V, in this configuration, the BP jumper is closed and both sides of the PSEL jumper are open. To power the UCC_1 rail with 5V (The PCA9615 operates better at this voltage), the BP jumper must be opened. Then close the "1" side of the PSEL jumper. Also ensure that 5V is connected on the UCC_1 pin on the Qwiic Endpoint

If many devices need to be powered, it is possible to send up to 36V over the green pair. To do this, connect 36V and ground to the Qwiic Endpoint. Also make sure that the BP jumper is cut/open. Make sure the 1 side of the PSEL jumper is open and close the 2 side of the PSEL jumper

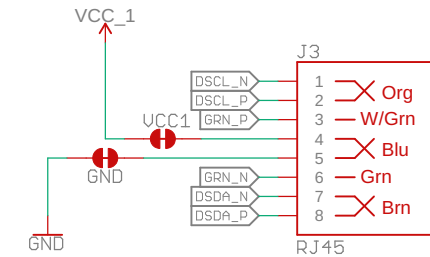
Qwiic Connectors



I2C Pullups

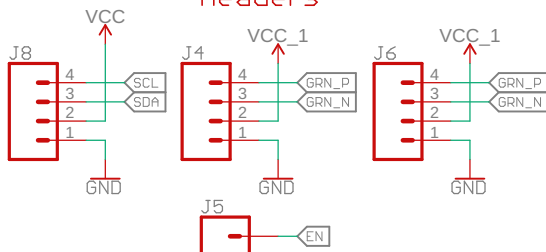


RJ-45 Connector



Cut traces on UCC1 and GND jumpers to disconnect UCC1 and GND from cable.

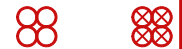
Headers



Released under the Creative Commons

Attribution Share-Alike 4.0 License

<https://creativecommons.org/licenses/by-sa/4.0/>



TITLE: SparkFun_QwiicBus_Endpoint

Design by: Joel Bartlett

Revision By: Andy England

REV:
v1.1

Date: 2/19/2021 12:30 PM

Sheet: 1/1