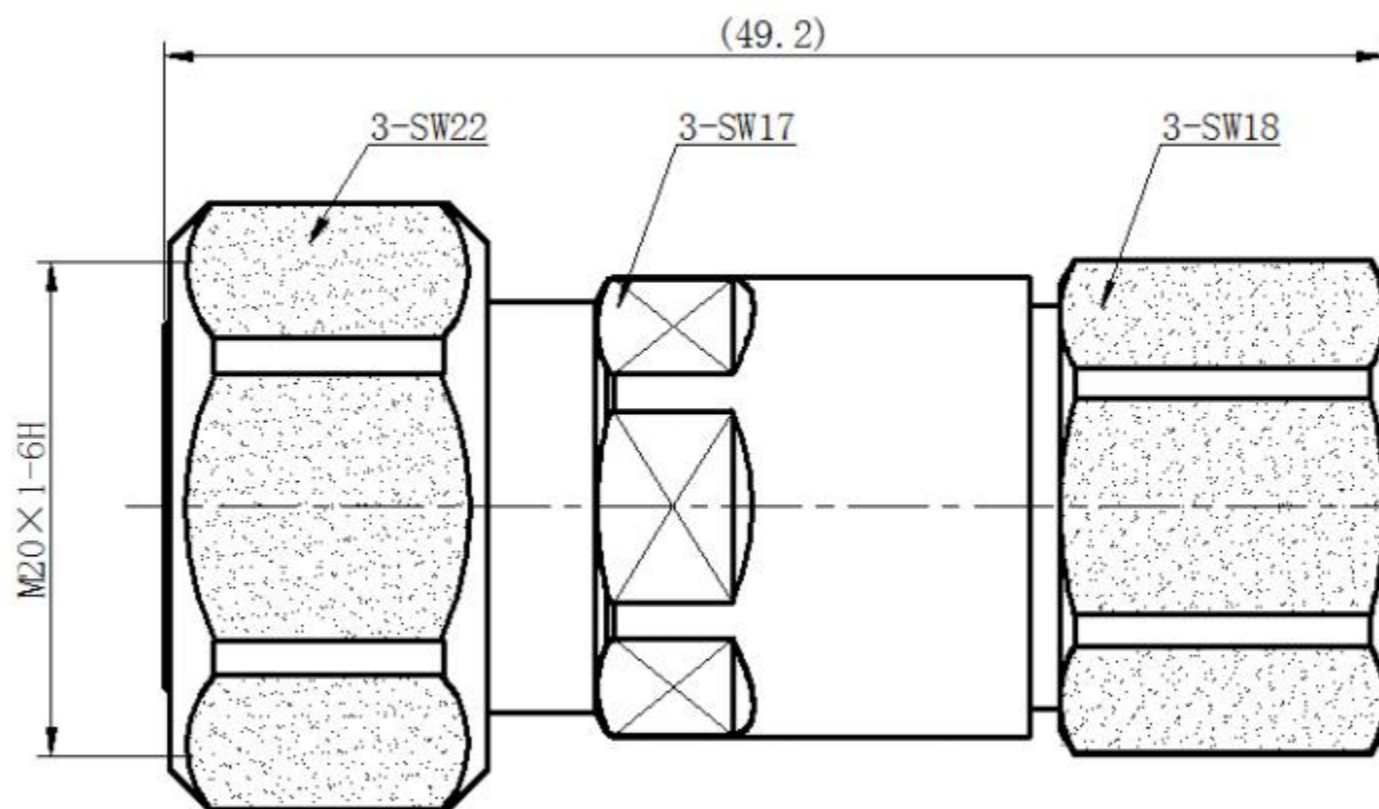


ELECTRICAL	
IMPEDANCE	50 Ohm
FREQUENCY RANGE	DC to 6GHz
INSERTION LOSS:	MAX. 0.05*SQRT(F) dB
VSWR:	MAX. 1.15@0-3GHz MAX. 1.25@3-6GHz
DIELECTRIC WITHSTAND VOLTAGE:	MAX. 2500 V RMS
INSULATION RESISTANCE	MIN. 5000 Mohms
PIM3:	MAX. -160dBc @2x20W, 900MHz, 1800MHz, 2100MHz tested with cable

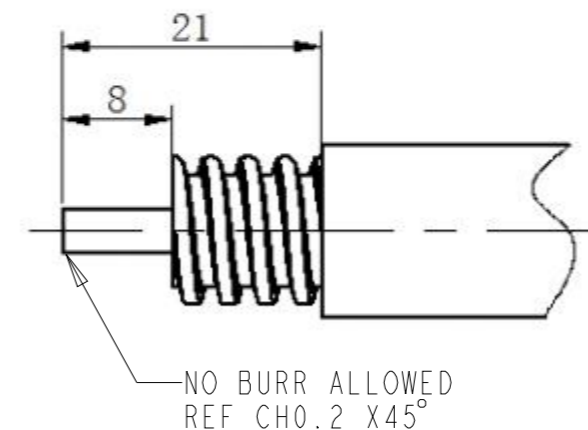
MECHANICAL	
MATING CYCLES:	MIN. 100 CYCLES
RECOMMENDED TORQUE:	5Nm
CABLE PULLING:	500N MIN.
CABLE TORSION:	5Nm MIN.

ENVIRONMENTAL	
TEMPERATURE RANGE:	-40°~+85°C
SALT SPRAY:	96H
INTERFACE SEAL:	IP68(1m, 24h) MATED
CLAMP SEAL:	IP67(1m, 0.5h)

P	LTR	DESCRIPTION	DATE	DWN	APVD



RECOMMENDED CABLE DIMENSION



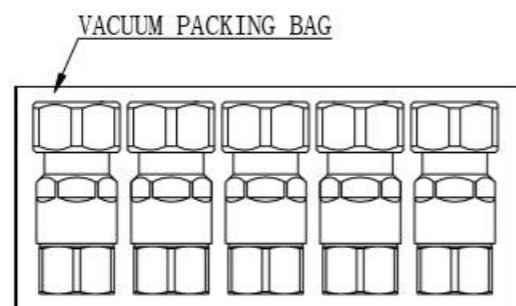
NOTE:
1. INTERFACE ACCORDING TO IEC 61169-54

P/N	PART NAME	MATERIAL	PLATING
2081970-1	CENTER CONTACT	BRONZE	SILVER
	OUTER CONTACT	BRASS	WHITE BRONZE
	INSULATOR	PTFE	
	O-RING	SILICONE RUBBER	
	OTHERS	BRASS	NICKEL

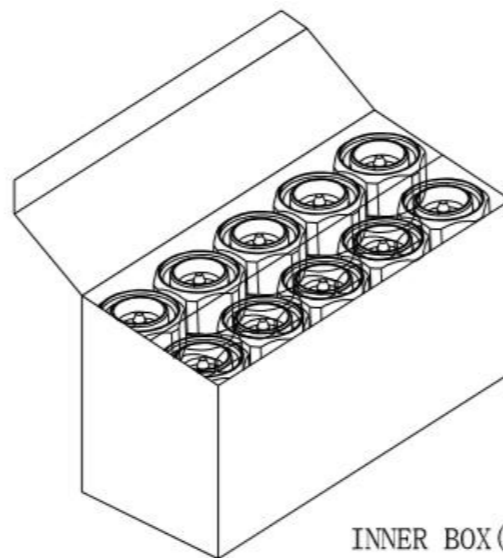
THIS DRAWING IS A CONTROLLED DOCUMENT.		DWN	JZ	10MAR2020			
DIMENSIONS: mm		CHK	RS	10MAR2020			
TOLERANCES UNLESS OTHERWISE SPECIFIED:		APVD	RS	10MAR2020	NAME		
0 PLC ±0.3	1 PLC ±0.2	PRODUCT SPEC		4.3-10 STRAIGHT PLUG, SCREW FOR 1/2 SUPERFLEX CABLE CLAMP TYPE			
2 PLC ±0.2	3 PLC ±0.2	APPLICATION SPEC		108-115175			
4 PLC ±0.2	ANGLES ±	WEIGHT		408-160013			
MATERIAL SEE TABLE	FINISH SEE TABLE	CUSTOMER DRAWING		SIZE	CAGE CODE	DRAWING NO	RESTRICTED TO
-	-	62.5g		A3	00779	©-2081970	-
SCALE				1:1	SHEET 1 OF 2		REV A

REVISIONS

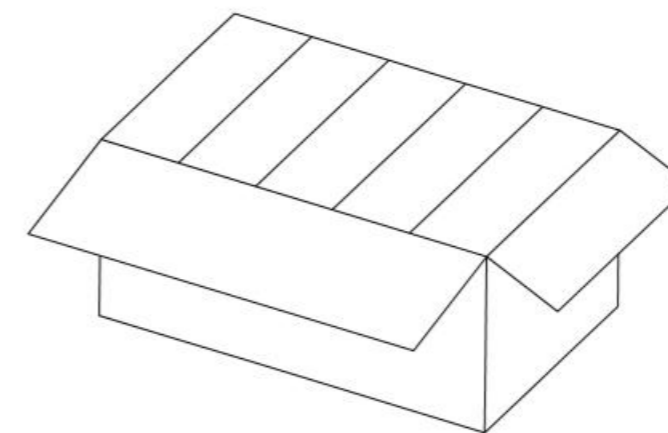
P	LTR	DESCRIPTION	DATE	DWN	APVD



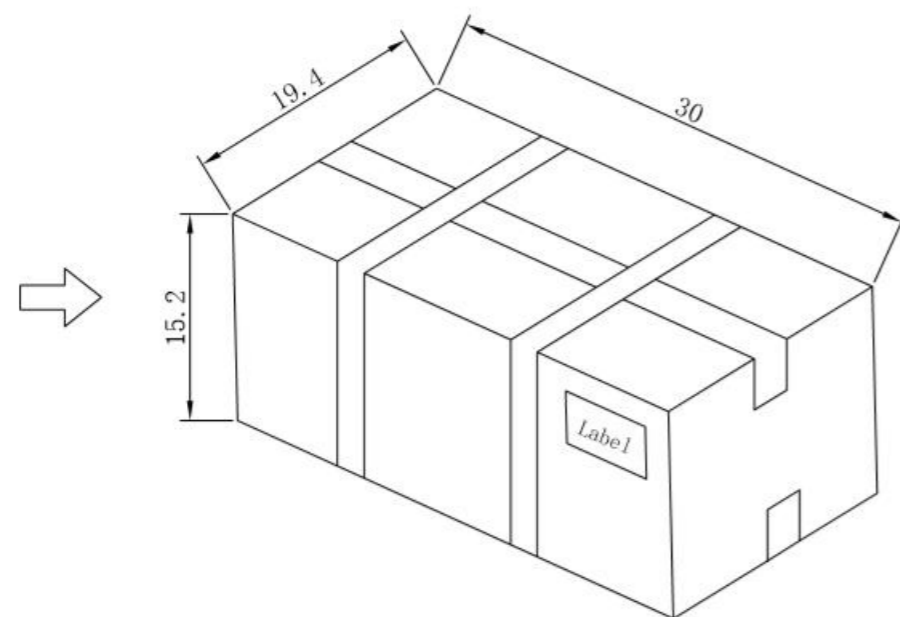
VACUUM PACKING(5PCS/BAG)



INNER BOX(10PCS/BOX)



OUTER BOX(150PCS/BOX)



PACKAGE

(BOX SIZE ONLY FOR REFERENCE, UNIT:CM)

THIS DRAWING IS A CONTROLLED DOCUMENT.		DWN JZ	10MAR2020		
DIMENSIONS: mm		CHK RS	10MAR2020		
TOLERANCES UNLESS OTHERWISE SPECIFIED:		APVD RS	10MAR2020	NAME 4.3-10 STRAIGHT PLUG, SCREW FOR 1/2 SUPERFLEX CABLE CLAMP TYPE	
		PRODUCT SPEC	108-115175	RESTRICTED TO	
MATERIAL SEE TABLE		APPLICATION SPEC	408-160013	SIZE A3	CAGE CODE 00779
FINISH SEE TABLE		WEIGHT	62.5g	DRAWING NO C-2081970	REV A
CUSTOMER DRAWING			SCALE 1:1	SHEET 2 OF 2	REV A