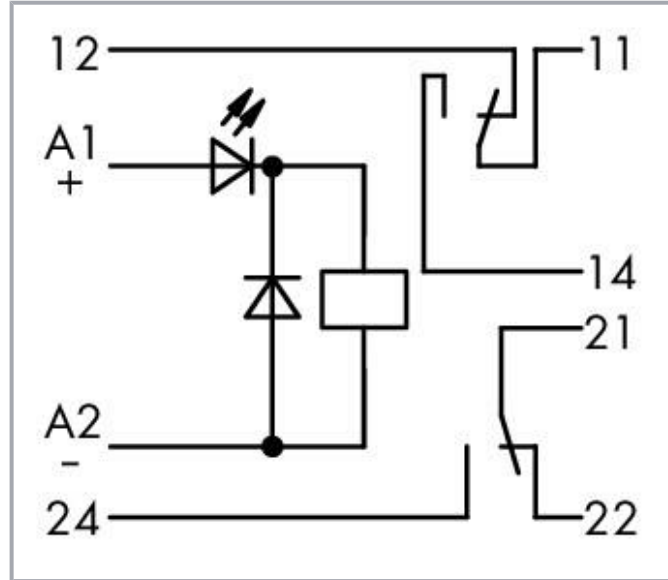
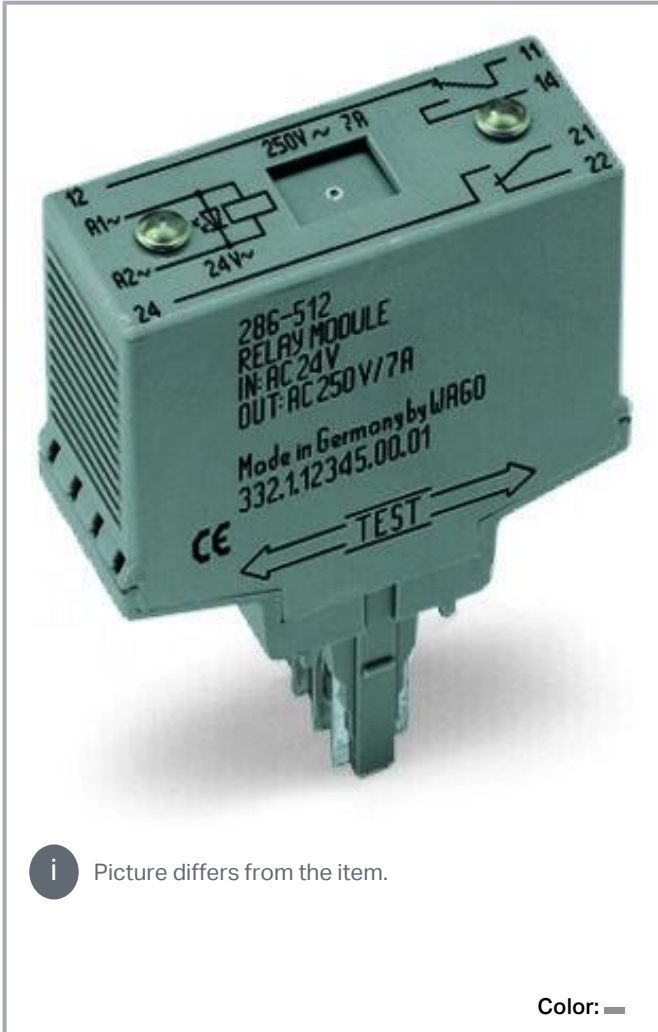


Data sheet | Item number: 286-312

Relay module; Nominal input voltage: 24 VDC; 2 changeover contacts;  
Limiting continuous current: 7 A; Red status indicator; Module width: 20 mm;  
gray



[www.wago.com/286-312](http://www.wago.com/286-312)



Subject to changes. Please also observe the further product documentation!

WAGO GmbH & Co. KG  
Hansastr. 27  
32423 Minden  
Phone: +49571 887-0 | Fax: +49571 887-169  
Email: [info.de@wago.com](mailto:info.de@wago.com) | Web: [www.wago.com](http://www.wago.com)

Do you have any questions about our products?  
We are always happy to take your call at +49 (571) 887-44222.



## Data

### Technical data

#### Control Circuit

Nominal input voltage $U_N$	DC 24 V
Input voltage range	$\pm 10\%$
Nominal input current at $U_N$	22 mA

#### Load circuit

Number of changeover/switchover contacts	2
Contact material (relay)	AgNi 0.15
Limiting continuous current	7 A
Switching voltage (max.)	AC 250 V
Switching power (resistive) max.	AC 1750 VA
Pull-in time (typ.)	18 ms
Drop-out time (typ.)	3 ms
Bounce time (typ.)	2 ms
Electrical life (NO; resistive load; 23 °C)	100 x 10 <sup>3</sup> switching operations
Mechanical life	30 x 10 <sup>6</sup> switching operations

#### Signaling

Status indicator	Red LED
------------------	---------

Subject to changes. Please also observe the further product documentation!

## Safety and protection

Rated voltage	250 V
Rated surge voltage	4 kV
Pollution degree	2
Dielectric strength (control/load circuit) (AC, 1 min)	2 kVrms
Dielectric strength (open contact) (AC, 1 min)	1 kVrms
Dielectric strength (load/load circuit) (AC, 1 min)	1.5 kVrms
Protection type	IP20

## Physical data

Width	20 mm / 0.787 inches
Height from upper-edge of DIN-rail	82.5 mm / 3.248 inches
Depth	52 mm / 2.047 inches

## Mechanical data

Mounting type	Pluggable module for receptacle terminal blocks
---------------	---

## Material Data

Color	gray
Fire load	0.412 MJ
Weight	39.6 g

## Environmental requirements

Ambient temperature (operation at $U_N$ )	-25 ... +40 °C
Ambient temperature (storage)	-25 ... +70 °C
Processing temperature	-25 ... +50 °C
Relative humidity	5 ... 85 % (no condensation permissible)
Operating altitude (max.)	2000 m

## Standards and specifications

Standards/specifications	EN 60664-1
--------------------------	------------

## Commercial data

Product Group	6 (INTERFACE ELECTRONIC)
eCl@ss 10.0	27-37-16-01

Subject to changes. Please also observe the further product documentation!



eCl@ss 9.0	27-37-16-01
ETIM 8.0	EC001437
ETIM 7.0	EC001437
PU (SPU)	10 (1) pcs
Packaging type	box
Country of origin	DE
GTIN	4045454427986
Customs tariff number	85364900990

## Environmental Product Compliance

CAS-No.	7439-92-1 79-94-7
REACH Candidate List Substance	2,2',6,6'-tetrabromo-4,4'-isopropylidenediphenol Lead
RoHS Compliance Status	Compliant, With Exemption
RoHS Exemption	7(a) 7(c)-I 7(c)-II
SCIP notification number (Austria)	86f44f9f-82f0-41d6-a503-1729fec3d12a
SCIP notification number (Belgium)	30e73ea9-bf79-47c9-a626-fc7dd71d79ba
SCIP notification number (Bulgaria)	0d888b10-ba7a-4daf-ac6b-166d44106eec
SCIP notification number (Czech Republic)	9facc2a-6838-4858-a016-bcadfda0ed36
SCIP notification number (Denmark)	4b519ec2-d88f-4923-ba21-66526dab623c
SCIP notification number (Finland)	5cd13514-e0d7-479f-a4d5-ea086b01e171
SCIP notification number (France)	0f7b5fb5-bc85-40e4-9d2b-a3bf1f9b010f
SCIP notification number (Germany)	80af79bc-86fa-4967-8977-b6c49aa70477
SCIP notification number (Hungary)	cfda50cc-840a-4960-8d5f-af8605dd8d77
SCIP notification number (Italy)	18a7a23c-efcd-473f-9622-fa1b516e1644
SCIP notification number (Netherlands)	d65ed1dd-f77b-4fd6-88f5-4048d144b645
SCIP notification number (Poland)	116def87-268a-4a2c-a4c1-035eef1217d1
SCIP notification number (Romania)	7f60db94-8363-4912-a302-fbfa4a2baa38
SCIP notification number (Sweden)	b388c426-10b0-42a5-ace5-18897e258763

## Approvals / Certificates

### General approvals

Logo	Approval	Additional Approval Text	Certificate name
	<b>EAC</b> Brjansker Zertifizierungsstelle	TP TC 004/2011	EAC RU C- DE.AM02.

Subject to changes. Please also observe the further product documentation!

WAGO GmbH & Co. KG  
Hansastr. 27  
32423 Minden  
Phone: +49571 887-0 | Fax: +49571 887-169  
Email: [info.de@wago.com](mailto:info.de@wago.com) | Web: [www.wago.com](http://www.wago.com)

Do you have any questions about our products?  
We are always happy to take your call at +49 (571) 887-44222.



## Optional accessories

### Terminal blocks

Terminal block for pluggable modules



**Item no.: 280-628**

Terminal block for pluggable modules; 8-pole; with 4-conductor terminal blocks; with orange separator; [www.wago.com/280-628](http://www.wago.com/280-628) for DIN-rail 35 x 15 and 35 x 7.5; 2.5 mm<sup>2</sup>; CAGE CLAMP®; 2,50 mm<sup>2</sup>; gray



**Item no.: 280-638**

Terminal block for pluggable modules; 8-pole; with 2-conductor terminal blocks; with orange separator; [www.wago.com/280-638](http://www.wago.com/280-638) for DIN-rail 35 x 15 and 35 x 7.5; 2.5 mm<sup>2</sup>; CAGE CLAMP®; 2,50 mm<sup>2</sup>; gray



**Item no.: 280-764**

Terminal block for pluggable modules; 8-pole; with 4-conductor terminal blocks; with marker carrier; [www.wago.com/280-764](http://www.wago.com/280-764) with orange separator; for DIN-rail 35 x 15 and 35 x 7.5; 2.5 mm<sup>2</sup>; CAGE CLAMP®; 2,50 mm<sup>2</sup>; gray

### Marking accessories

Marker



**Item no.: 209-701**

WSB marking card; as card; not stretchable; plain; snap-on type; white

[www.wago.com/209-701](http://www.wago.com/209-701)

## Downloads

### Documentation

#### Bid Text

286-312 X81 - Datei	2019 Feb 19	xml 3.9 kB	Download
------------------------	-------------	---------------	----------

286-312 doc - Datei	2018 Mar 22	doc 27.6 kB	Download
------------------------	-------------	----------------	----------

#### Instruction Leaflet

		pdf 1.3 MB	Download
--	--	---------------	----------

#### Additional Information

Disposal and Recycling Electrical and electronic equipment, Batteries, Packaging	V 1.1.0 2022 Aug 18	pdf 2.2 MB	Download
---	------------------------	---------------	----------

Subject to changes. Please also observe the further product documentation!

## CAD/CAE-Data

### CAE data

WSCAD Universe 286-312	<a href="#">URL</a>	<a href="#">Download</a>
ZUKEN Portal 286-312	<a href="#">URL</a>	<a href="#">Download</a>

### CAD data

2D/3D Models 286-312	<a href="#">URL</a>	<a href="#">Download</a>
----------------------	---------------------	--------------------------

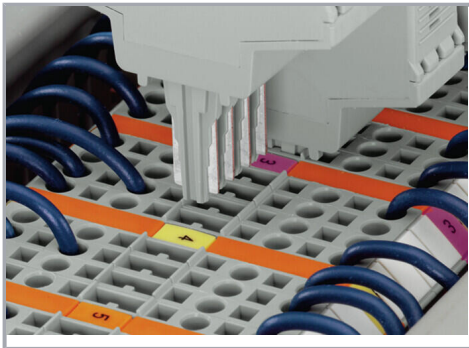
## Environmental Product Compliance

### Compliance Search

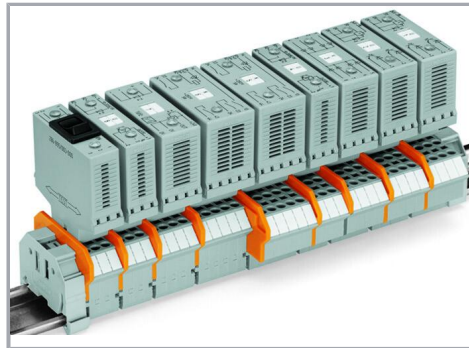
Environmental Product Compliance 286-312	<a href="#">URL</a>	<a href="#">Download</a>
Relay module; Nominal input voltage: 24 VDC; 2 changeover contacts; Limiting continuous current: 7 A; Red status indicator; Module width: 20 mm; gray		

## Installation Notes

### Installation



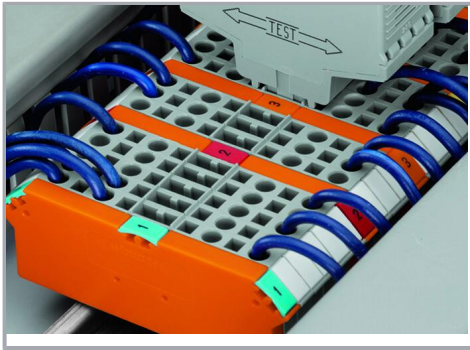
Coding ensures correct polarity.



Pluggable electronic modules on 2- or 4-conductor carrier terminal blocks

### Marking

Subject to changes. Please also observe the further product documentation!



Marking via WMB Multi Marking System.

### Testing



Function testing via touch-proof test slots

Subject to changes. Please also observe the further product documentation!