

Data sheet | Item number: 288-508

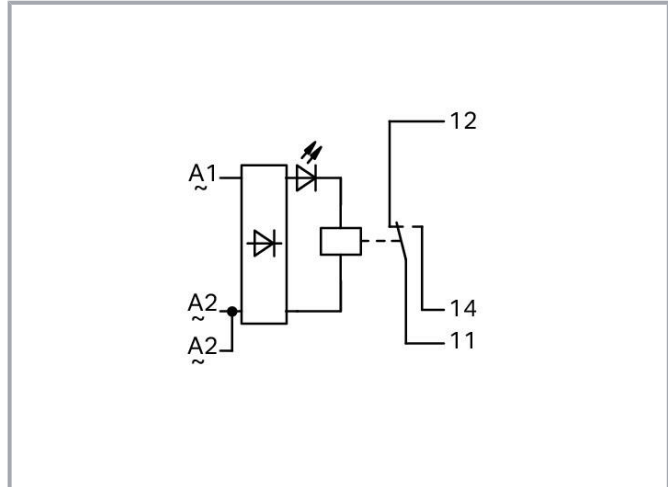
Relay module; Nominal input voltage: 230 VAC; 1 changeover contact; 2,50 mm²; gray

www.wago.com/288-508



 Picture differs from the item.

Color: —



Data

Technical data

Control Circuit

Nominal input voltage U_N	AC 230 V
Input voltage range	$\pm 10\%$
Nominal input current at U_N	7 mA

Load circuit

Number of changeover/switchover contacts	1
--	---

Subject to changes. Please also observe the further product documentation!

WAGO GmbH & Co. KG
Hansastr. 27
32423 Minden
Phone: +49571 887-0 | Fax: +49571 887-169
Email: info.de@wago.com | Web: www.wago.com

Do you have any questions about our products?
We are always happy to take your call at +49 (571) 887-44222.



Contact material (relay)	AgNi 90/10
Limiting continuous current	6 A
Inrush current (resistive) max.	(AC) 16 A / 4 s
Switching voltage (max.)	AC 250 V
Switching power (resistive) max.	AC 1500 VA
Pull-in time (typ.)	9 ms
Drop-out time (typ.)	3 ms
Bounce time (typ.)	2 ms
Electrical life (NO; resistive load; 23 °C)	100 x 10 ³ switching operations
Mechanical life	30 x 10 ⁶ switching operations

Safety and protection

Rated voltage	300 V
Rated surge voltage	2.5 kV
Pollution degree	2
Dielectric strength (control/load circuit) (AC, 1 min)	4 kVrms
Dielectric strength (open contact) (AC, 1 min)	1 kVrms

Connection data

Connection technology	CAGE CLAMP®
WAGO connector	WAGO 236 Series
Solid conductor	0.08 ... 2.5 mm ² / 28 ... 12 AWG
Fine-stranded conductor	0.08 ... 2.5 mm ² / 28 ... 12 AWG
Strip length	5 ... 6 mm / 0.2 ... 0.24 inches

Physical data

Width	20.5 mm / 0.807 inches
Height	85 mm / 3.346 inches
Depth from upper-edge of DIN-rail	48 mm / 1.89 inches

Mechanical data

Mounting type	DIN-35 rail
---------------	-------------

Material Data

Color	gray
Fire load	0.772 MJ

Subject to changes. Please also observe the further product documentation!

Weight	40.4 g
--------	--------

Environmental requirements

Ambient temperature (operation at U_N)	-25 ... +40 °C
---	----------------

Ambient temperature (storage)	-40 ... +80 °C
-------------------------------	----------------

Processing temperature	-25 ... +50 °C
------------------------	----------------

Standards and specifications

Standards/specifications	EN 60664-1
--------------------------	------------

Commercial data

Product Group	6 (INTERFACE ELECTRONIC)
---------------	--------------------------

eCl@ss 10.0	27-37-16-01
-------------	-------------

eCl@ss 9.0	27-37-16-01
------------	-------------

ETIM 8.0	EC001437
----------	----------

ETIM 7.0	EC001437
----------	----------

PU (SPU)	10 (1) pcs
----------	------------

Packaging type	box
----------------	-----

Country of origin	DE
-------------------	----

GTIN	4045454192686
------	---------------


Customs tariff number	85364900990
-----------------------	-------------

Environmental Product Compliance

RoHS Compliance Status	Compliant, No Exemption
------------------------	-------------------------

Approvals / Certificates

General approvals

Logo	Approval	Additional Approval Text	Certificate name
	EAC Brjansker Zertifizierungsstelle	TP TC 004/2011	EAC RU C-DE.AM02.B.00122 /19

Optional accessories

Tool

Subject to changes. Please also observe the further product documentation!

Operating tool



Item no.: 210-720

Operating tool; Blade: 3.5 x 0.5 mm; with a partially insulated shaft; multicoloured

www.wago.com/210-720

Marking accessories

Marking strip



Item no.: 709-196

Marking strips; for laser printer; translucent

www.wago.com/709-196



Item no.: 709-178

Marking strips; on reel; 7.5 mm wide; not stretchable; plain; snap-on type; white

www.wago.com/709-178



Item no.: 709-177

Marking strips; on reel; 7.5 mm wide; not stretchable; plain; snap-on type; translucent

www.wago.com/709-177

Downloads

Documentation

Instruction Leaflet

pdf
1.3 MB
Download

Additional Information

Disposal and Recycling
Electrical and electronic equipment, Batteries, Packaging

V 1.1.0
2022 Aug 18

pdf
2.2 MB
Download

CAD/CAE-Data

CAD data

2D/3D Models 288-508

URL
Download

CAE data

EPLAN Data Portal 288-508

URL
Download

WSCAD Universe 288-508

URL
Download

Subject to changes. Please also observe the further product documentation!

WAGO GmbH & Co. KG
Hansastr. 27
32423 Minden
Phone: +49571 887-0 | Fax: +49571 887-169
Email: info.de@wago.com | Web: www.wago.com

Do you have any questions about our products?
We are always happy to take your call at +49 (571) 887-44222.

Environmental Product Compliance

Compliance Search

Environmental Product Compliance 288-508

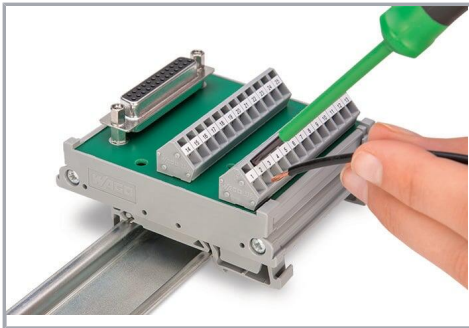
[URL](#)

[Download](#)

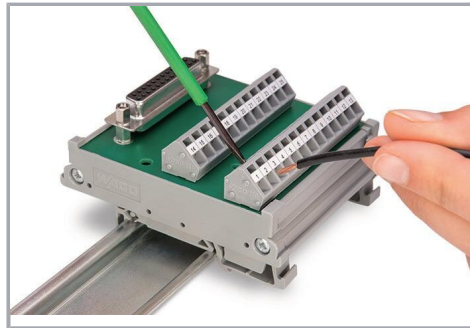
Relay module; Nominal input voltage: 230 VAC; 1 changeover contact; 2,50 mm²; gray

Installation Notes

Conductor termination

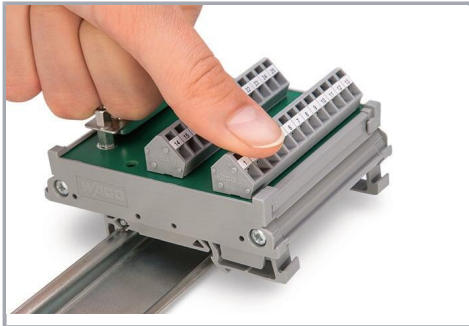


Conductor termination – screwdriver actuation parallel to conductor entry

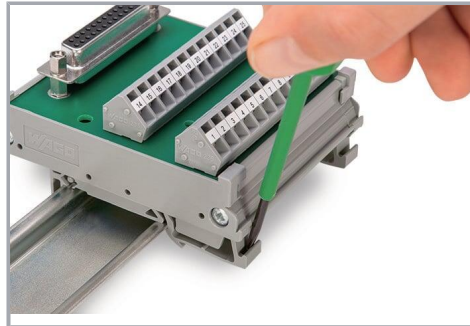


Conductor termination – screwdriver actuation perpendicular to conductor entry

Installation



Snapping a module onto DIN-rail.



Removing a module from the DIN-rail.

Subject to changes. Please also observe the further product documentation!