

4

3

2

1

THIS DRAWING IS UNPUBLISHED. RELEASED FOR PUBLICATION 20
 © COPYRIGHT 20 BY TYCO ELECTRONICS CORPORATION. ALL RIGHTS RESERVED.

LOC		DIST		REVISIONS			
P	LTR	DESCRIPTION	DATE	DWN	APVD		
		NEW PRODUCT RELEASE	28JUN2005	BB	LS		

PROTECTIVE CAP

JAM NUT

ACTIVE DEVICE MOUNT

ALIGNMENT RING

LOCK WASHER

1. ACCEPTS ACTIVE DEVICES: TO-18 TYPE, TO-46 TYPE,
 TO-52 TYPE, AND HONEYWELL LOW COST PLASTIC SWEETSPOT.

2 BULK PACKAGE.

3 MATERIAL:
 ACTIVE DEVICE MOUNT: ZINC
 ALIGNMENT RING: TPE, UL94 V-0 RATED AT QUALIFYING THICKNESS.
 LOCK WASHER: STAINLESS STEEL
 JAM NUT: NICKEL PLATED BRASS
 PROTECTIVE CAP: VINYL, COLOR: RED
 SCREWS: STAINLESS STEEL

#2-56 UNC x 6.35 LONG
 2x

Ø0.63±0.13
 3x

2.79±0.05

2.54

4.76

6.48

1.27

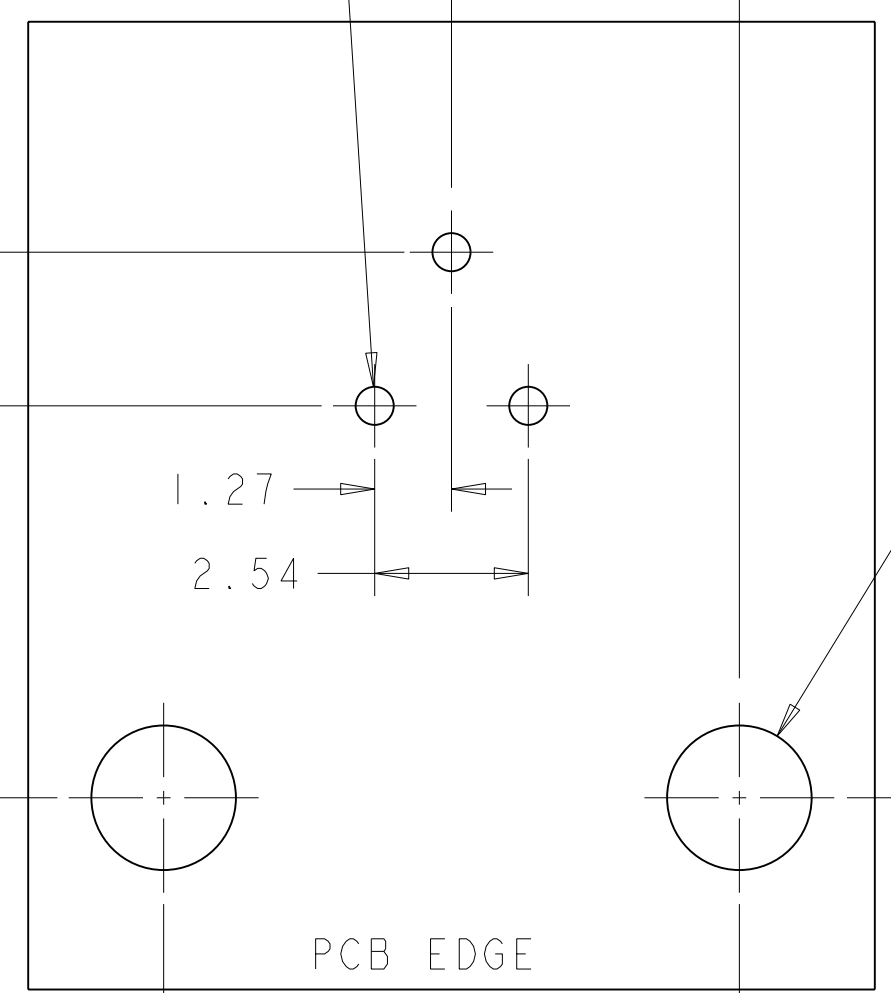
2.54

Ø2.39±0.08
 DIA FOR #2-56UNC SCREWS

3.17
 MAX

Ø6.53±0.08

SUGGESTED CLEARANCE HOLE



SUGGESTED MOUNTING PATTERN
 MAX PANEL THICKNESS 1.57

2	5502136-2
	5502136-1
	PART NUMBER

THIS DRAWING IS A CONTROLLED DOCUMENT FOR TYCO ELECTRONICS CORPORATION IT IS SUBJECT TO CHANGE AND THE CONTROLLING ENGINEERING ORGANIZATION SHOULD BE CONTACTED FOR THE LATEST REVISION.		DWN B. BRIGGS 28JUN2005	Tyco Electronics Harrisburg, PA 17105-3608	
DIMENSIONS: mm		CHK L. SAUERWEIN 28JUN2005	NAME ACTIVE DEVICE MOUNT KIT, PCB MOUNT, FSMA, OPTIMATE	
TOLERANCES UNLESS OTHERWISE SPECIFIED:		APVD S. BUCHTER 28JUN2005	PRODUCT SPEC	
0 PLC ±		APPLICATION SPEC		
1 PLC ±		WEIGHT		
2 PLC ±0.25		SIZE A200779		
3 PLC ±		CAGE CODE C=5502136		
4 PLC ±		DRAWING NO 5502136		
ANGLES ±		RESTRICTED TO		
FINISH		SCALE 5:1		
MATERIAL 3		SHEET 1		
CUSTOMER DRAWING		OF 1		
		REV 1		