

Product Change Notice (PCN)

Date: 11/22/2019

PCN Number: PCN-0450594R-01

To Our Customers:

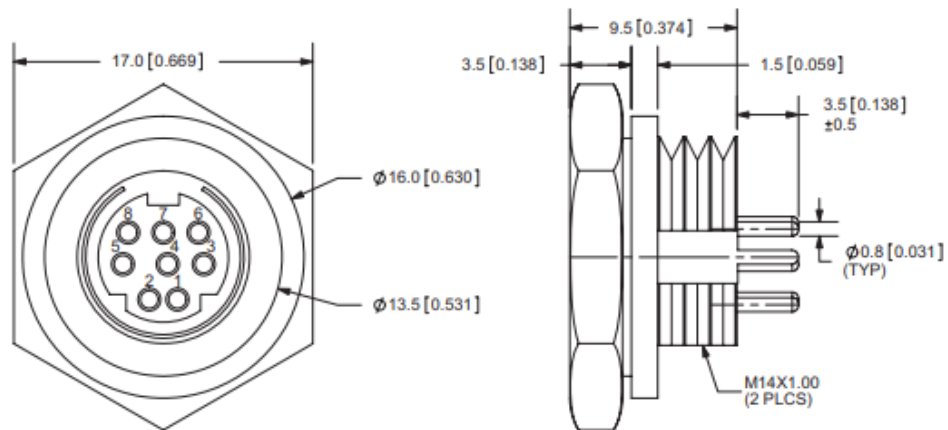
We appreciate your use of CUI Devices products. Our commitment in maintaining and improving processes is demonstrated by plans to enhance our product quality, reliability and manufacturability. The purpose of this notice is to inform you of a product change.

Product(s) Affected: MD-CV series (part numbers MD-40CV, MD-60CV, MD-80CV).

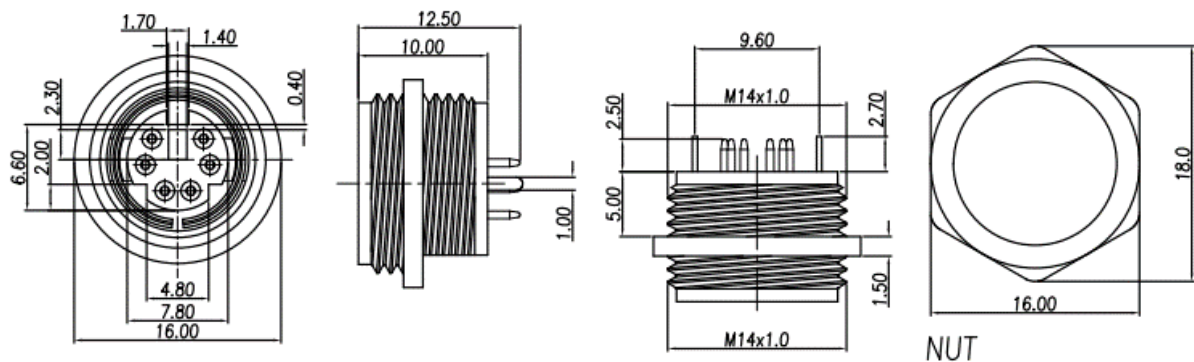
Reason(s) for Change: Manufacturing build location change.

Description of Change: minor dimensional changes, such as pin length, as shown below. Nut change from metal to plastic.

Old Design



New Design



PCB Layout Old Design	PCB Layout New Design

Affected Date Code: 11/15/19

Product Availability: currently available

Additional Information: none

PCN Approval:

Operations/Quality

Ronald D. ...

Product Marketing

RU