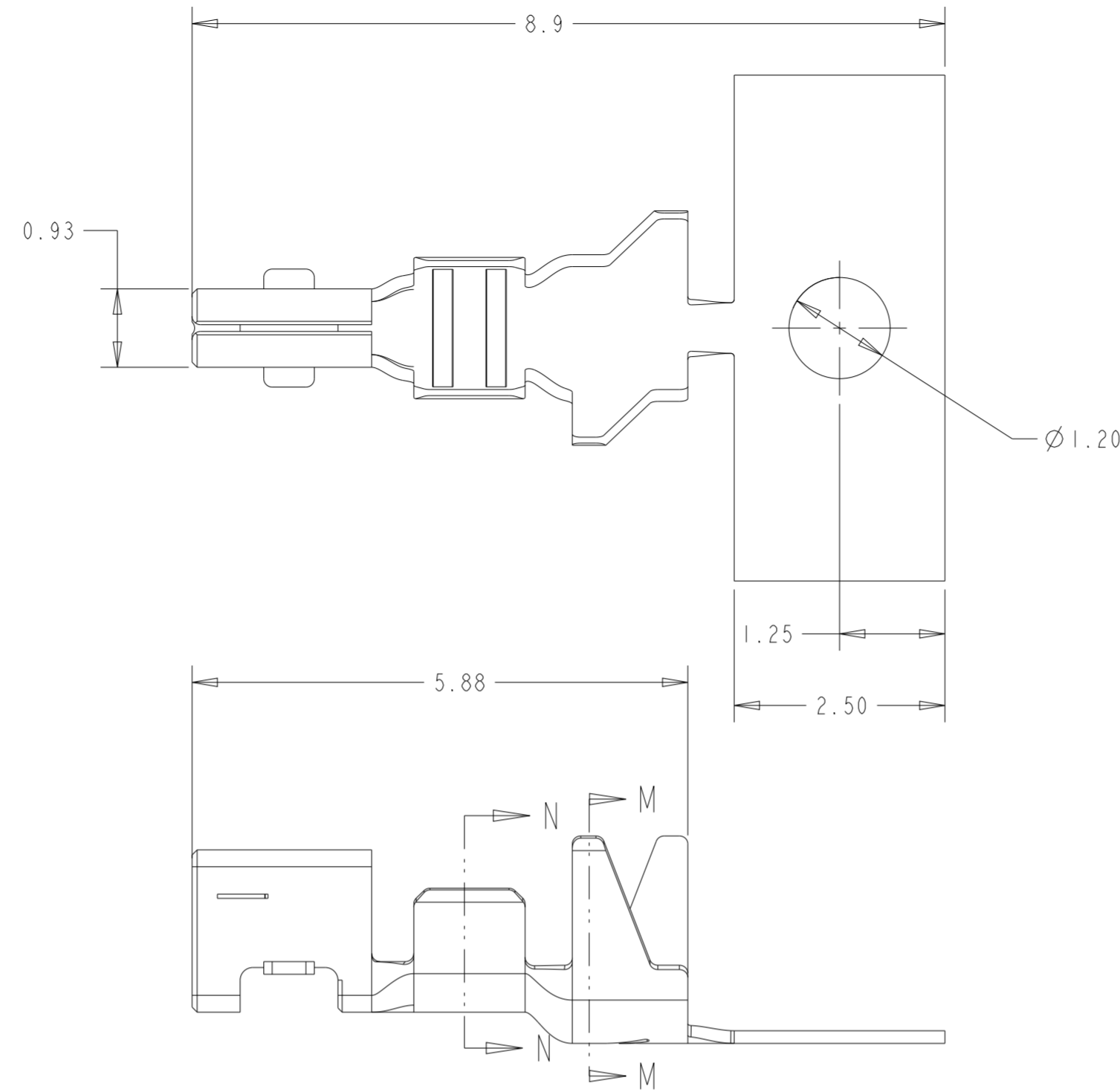
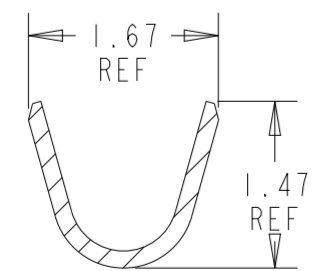
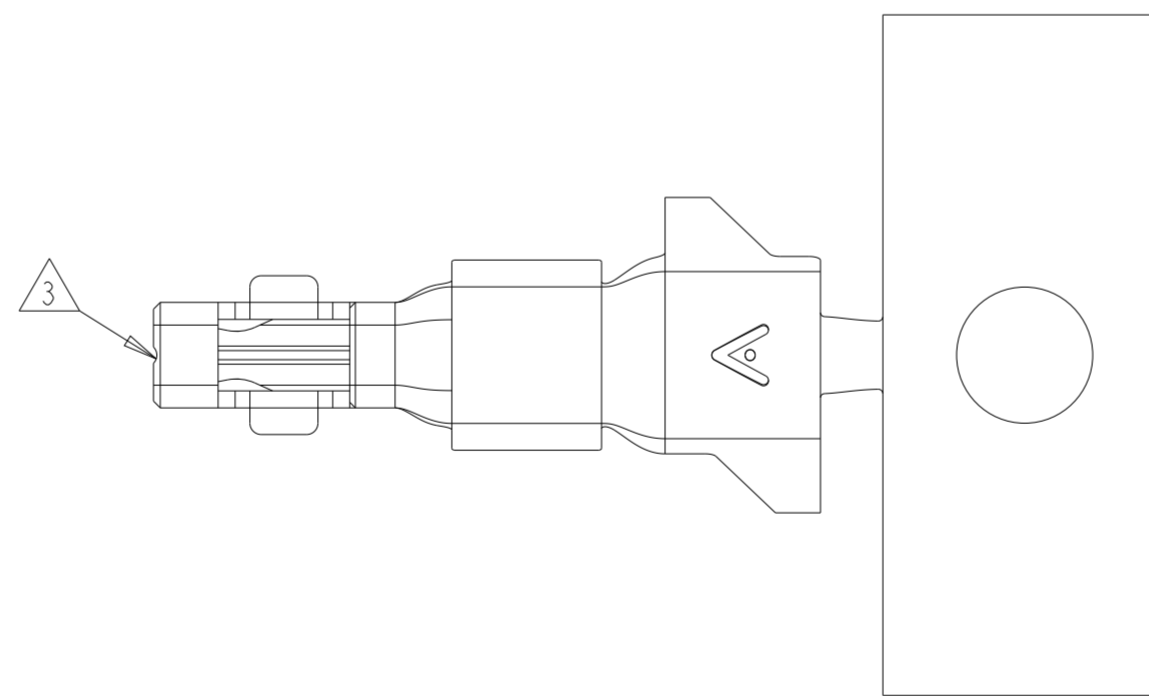
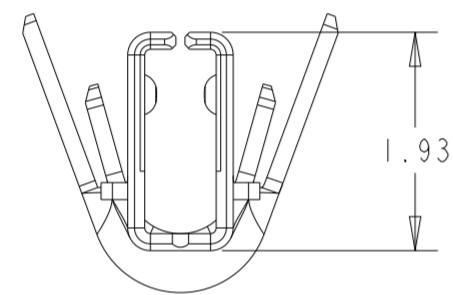


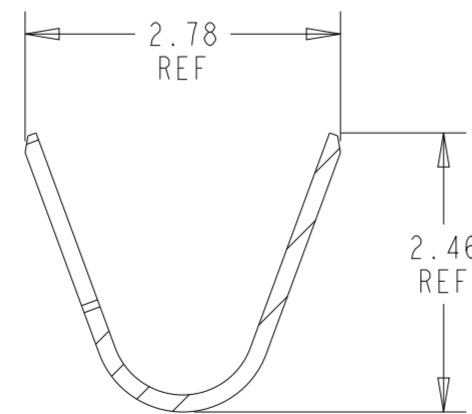
P	LTR	DESCRIPTION	DATE	DWN	APVD
B		REVISED PER ECR-20-100389	01SEP2020	BDA	SW
BI		REVISED PER ECR-21-124699	24JAN2022	PJ	DZ



1. WIRE RANGE: 28-22 AWG COPPER STRANDED.
2. INSULATION RANGE: Ø 1.18-1.56
3. RADIUS FEATURE MAY EXIST ON CORNER INDICATED.
4. COUNTERPART: 2350224



SECTION N-N

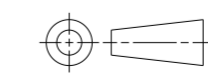


SECTION M-M

THIS DRAWING IS A CONTROLLED DOCUMENT.

DIMENSIONS:  
mm

TOLERANCES UNLESS OTHERWISE SPECIFIED:



- 0 PLC ±
- 1 PLC ±0.3
- 2 PLC ±0.20
- 3 PLC ±
- 4 PLC ±
- ANGLES ±
- FINISH

MATERIAL  
SEE TABLE

PRE-PLATED  
TIN

DWN	B. WEAVER	21 JUN 2019
CHK	C. YI	21 JUN 2019
APVD	T. BENCHOFF	21 JUN 2019
PRODUCT SPEC	108-143160	
APPLICATION SPEC	114-143160	
WEIGHT	-	
CUSTOMER DRAWING		

PHOS. BRONZE		2350223-1	
MATERIAL		PART NUMBER	
<b>STE</b> TE Connectivity			
NAME RECEPTACLE CONTACT, SGI 2.0			
SIZE	CAGE CODE	DRAWING NO	RESTRICTED TO
A2	00779	C-2350223	-
SCALE 15:1		SHEET	OF
		1	1
		REV	BI