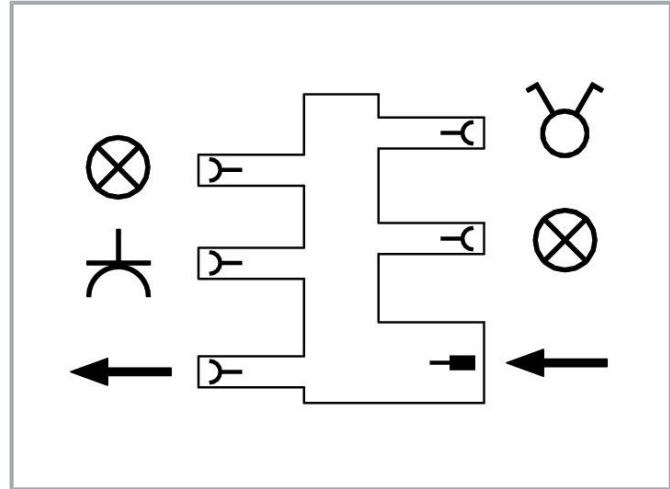


Data sheet | Item number: 770-687

Distribution connector for switches; Single-pole switch and series circuit; 3-pole; Cod. A/S; 1 input; 5 outputs; white

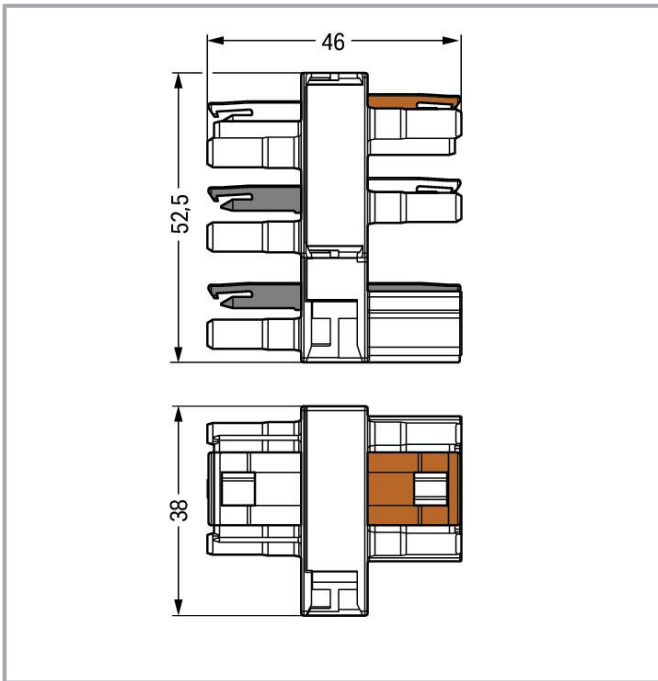
www.wago.com/770-687



Subject to changes. Please also observe the further product documentation!

WAGO GmbH & Co. KG
Hansastr. 27
32423 Minden
Phone: +49571 887-0 | Fax: +49571 887-169
Email: info.de@wago.com | Web: www.wago.com

Do you have any questions about our products?
We are always happy to take your call at +49 (571) 887-44222.



Item description

Distribution connector *WINSTA*® MIDI with protection type IP20

The *WINSTA*® MIDI distribution connector A coding allows installation of fine-stranded and solid conductors. The pluggable installation connectors with spring pressure connection technology function without screw connections. They allow resource-efficient, error-free installation in a large number of applications. The color coding and mechanical coding of the pluggable installation connector ensure error-free installation of the individual components – including protection against mismatching. The pluggable installation connector is protected in accordance with protection type IP20 (When mated: IP2xC (These compact connectors are not designed for use in open, easily accessible areas!)). That results in the fact that users' fingers will never come into contact with live contact elements. Thanks to the color coding and mechanical A coding of *WINSTA*® MIDI pluggable installation connectors, you can clearly distinguish different circuits. The rated current and voltage are important criteria for selecting a pluggable installation connector: They tell us about the product's domains of use. This product has a current rating of 25 A – therefore it is suitable for powerful loads. *WINSTA*® MIDI with Push-in CAGE CLAMP® spring pressure connection technology is used in can be found in a variety of projects you can use for quick, easy and maximally flexible electrical installation.

Push-in CAGE CLAMP® spring pressure connection technology – pluggable installation instead of laborious screw connections!

The *WINSTA*® Pluggable Connection System is perfectly tailored to the strict requirements of building installation. It makes electrical installation pluggable, and consequently faster, even more reliable, and error-free. Using this pre-assembled system decreases assembly times and installation errors at the construction site. Now you can also cut installation costs without compromising quality and safety: The *WINSTA*® MIDI pluggable

Subject to changes. Please also observe the further product documentation!



installation connector with locking lever reduces the need for servicing and prevents unnecessary downtime.

- pluggable installation connectors with protection against mismatching
- pre-assembled versions
- with A coding for use in many general mains applications
- exact dimensions
- rapid, structured electrical installation

Data

Electrical data

Ratings per IEC/EN

| | |
|-------------------------------|---|
| Ratings per | IEC/EN 60664-1 |
| Nominal voltage (III/3) | 250 V |
| Rated impulse voltage (III/3) | 4 kV |
| Rated current | 25 A |
| Legend (ratings) | (III / 3) ≙ Overvoltage category III / Pollution degree 3 |

Ratings per UL 1977

| | |
|-------------------------|--|
| Note for the US market | Some versions may also be used for current interruption in accordance with the UL certificate in select applications with currents below 16 A and voltages up to 600 V. For further information, please contact your local sales office. |
| Rated voltage (UL 1977) | 600 V |
| Rated current UL 1977 | 23 A |

General

| | |
|----------------------------|--|
| Note on contact resistance | approx. 1 mΩ of contact resistance approx. 0.25 mΩ contact transition plug/socket |
|----------------------------|--|

Connection data

| | |
|----------------------------|---|
| Total number of potentials | 3 |
|----------------------------|---|

Connection 1

| | |
|-------------|---|
| Pole number | 3 |
|-------------|---|

Subject to changes. Please also observe the further product documentation!



Physical data

| | |
|-------------|------------------------|
| Pin spacing | 10 mm / 0.394 inches |
| Width | 38 mm / 1.496 inches |
| Height | 52.5 mm / 2.067 inches |
| Depth | 46 mm / 1.811 inches |

Mechanical Data

| | |
|---|---|
| Application | General mains applications |
| Coding | A |
| Marking | plain |
| Mating force of a plug-in connection | approx. 20 ... 70 N (depending on pole number) |
| Retention force of a plug-in connection | When locked: > 80 N |
| Unmating force of a plug-in connection | Unlocked: approx. 20 ... 70 N (depending on pole number) |
| Number of mating cycles | 200, without resistive load |
| Type of distribution box | Distribution connector for single-pole switch or series circuits |
| Protection type | IP20; When mated: IP2xC (These compact connectors are not designed for use in open, easily accessible areas!) |
| Suitable | for single-pole switch and series circuits |

Plug-in connection

| | |
|------------------------------------|--|
| Contact type (pluggable connector) | Socket/plug |
| Mismating protection | Yes |
| Note on mismating protection | All <i>WINSTA</i> [®] components are 100% protected against mismating when: a.) plugging different numbers of poles b.) plugging while rotated 180 c.) plugging while laterally staggered d.) plugging one pole |
| Locking lever | yes |
| Locking of plug-in connection | locking lever |
| Note on locking system | All connectors for mounted installations (snap-in versions for lighting fixtures or devices, all types of PCB and distribution connectors) are factory-equipped with locking levers to ensure plugs and sockets are securely locked. Additional locking levers are only required for flying leads (plug/socket). |
| Number of locking levers | 6 |

Subject to changes. Please also observe the further product documentation!

Material Data

Note (material data)

Information on material specifications can be found here

| | |
|-----------------------------|---|
| Color | white |
| Insulation material | Polyamide (PA66) |
| Flammability class per UL94 | V0 |
| Contact material | Copper or copper alloy; surface-treated |
| Contact plating | Tin |
| Fire load | 0.705 MJ |
| Weight | 44.3 g |

Environmental requirements

| | |
|--|---|
| Processing temperature | -5 ... +40 °C |
| Continuous operating temperature | -35 ... +85 °C |
| Note on continuous operating temperature | Insulating parts for temperatures \leq 105 °C |

Commercial data

| | |
|-----------------------|---------------|
| eCl@ss 10.0 | 27-44-06-03 |
| eCl@ss 9.0 | 27-44-06-03 |
| ETIM 8.0 | EC002567 |
| ETIM 7.0 | EC002567 |
| PU (SPU) | 10 pcs |
| Packaging type | box |
| Country of origin | DE |
| GTIN | 4045454251598 |
| Customs tariff number | 85366990990 |

Environmental Product Compliance

| | |
|------------------------|-------------------------|
| RoHS Compliance Status | Compliant, No Exemption |
|------------------------|-------------------------|

Approvals / Certificates

General approvals

| Logo | Approval | Additional Approval Text | Certificate name |
|------|----------|--------------------------|------------------|
| | CCA | EN 61535 | 71- |

Subject to changes. Please also observe the further product documentation!



DEKRA Certification B.V.

123228


CCA

IEC 61535




NL -84761

DEKRA Certification B.V.

Declarations of conformity and manufacturer's declarations

| Logo | Approval | Additional Approval Text | Certificate name |
|--|--|--------------------------|------------------|
|  | EU-Declaration of Conformity WAGO GmbH & Co. KG | - | - |

Approvals for marine applications

| Logo | Approval | Additional Approval Text | Certificate name |
|---|--|--------------------------|--------------------------|
|  | ABS American Bureau of Shipping | - | 19- HG1868589- PDA |
|  | DNV GL Det Norske Veritas, Germanischer Lloyd | - | TAE00001Z6 |
|  | LR Lloyds Register | IEC 61984 | LR22429487TA |

Counterpart



Item no.770-123

Socket; with strain relief housing; 3-pole; Cod. A; 4,00 mm²; white

www.wago.com/770-123



Item no.770-133

Plug; with strain relief housing; 3-pole; Cod. A; 4,00 mm²; white

www.wago.com/770-133



Item no.770-1373

Plug; 3-pole; 4,00 mm²; brown

www.wago.com/770-1373

Subject to changes. Please also observe the further product documentation!

WAGO GmbH & Co. KG

Hansastr. 27

32423 Minden

Phone: +49571 887-0 | Fax: +49571 887-169

Email: info.de@wago.com | Web: www.wago.com

Do you have any questions about our products?

We are always happy to take your call at +49 (571) 887-44222.

| | | |
|--|---|--|
|  | Item no.770-223 Socket; 3-pole; Cod. A; 4,00 mm ² ; white | www.wago.com/770-223 |
|  | Item no.770-223/035-050 Socket; with strain relief housing; 3-pole; Cod. A; 4,00 mm ² ; white | www.wago.com/770-223/035-050 |
|  | Item no.770-233 Plug; 3-pole; Cod. A; 4,00 mm ² ; white | www.wago.com/770-233 |
|  | Item no.770-233/035-050 Plug; with strain relief housing; 3-pole; Cod. A; 4,00 mm ² ; white | www.wago.com/770-233/035-050 |
|  | Item no.771-9973/006-105 pre-assembled interconnecting cable; Eca; Socket/plug; 3-pole; Cod. S; H05VV-F 3 x 1.5 mm ² ; 1 m; 1,50 mm ² ; brown | www.wago.com/771-9973/006-105 |
|  | Item no.771-9973/206-105 pre-assembled connecting cable; Eca; Plug/open-ended; 3-pole; Cod. S; H05VV-F 3 x 1.5 mm ² ; 1 m; 1,50 mm ² ; brown | www.wago.com/771-9973/206-105 |
|  | Item no.771-9993/006-102 pre-assembled interconnecting cable; Eca; Socket/plug; 3-pole; Cod. A; H05VV-F 3G 1.5 mm ² ; 1 m; 1,50 mm ² ; white | www.wago.com/771-9993/006-102 |
|  | Item no.771-9993/106-102 pre-assembled connecting cable; Eca; Socket/open-ended; 3-pole; Cod. A; H05VV-F 3G 1.5 mm ² ; 1 m; 1,50 mm ² ; white | www.wago.com/771-9993/106-102 |
|  | Item no.771-9993/206-102 pre-assembled connecting cable; Eca; Plug/open-ended; 3-pole; Cod. A; H05VV-F 3G 1.5 mm ² ; 1 m; 1,50 mm ² ; white | www.wago.com/771-9993/206-102 |

Optional accessories

Mounting

Mounting accessories



Item no.: 770-623
Mounting plate; 3-pole; for distribution connectors; Plastic; black

www.wago.com/770-623



Item no.: 770-673
Mounting plate; 3-pole; for distribution connectors; Plastic; white

www.wago.com/770-673

Cover

Cover



Item no.: 770-360
Lockout cap; for plugs; 5-pole; separable; yellow

www.wago.com/770-360

Subject to changes. Please also observe the further product documentation!



Item no.: 770-201

Lockout cap; 12-pole, separable; for sockets; Plastic; black

www.wago.com/770-201



Item no.: 770-221

Lockout cap; 12-pole, separable; for sockets; Plastic; white

www.wago.com/770-221

Jumpers

Shorting plug



Item no.: 770-113/147-000

Shorting plug; with assembled strain relief housing; 3-pole; Cod. A; Bridge L-N; 4,00 mm²; black

www.wago.com/770-113/147-000



Item no.: 770-1373/146-000

Shorting plug; with assembled strain relief housing; 3-pole; Cod. S; Bridge 1-2; 4,00 mm²; brown

www.wago.com/770-1373/146-000



Item no.: 770-1373/147-000

Shorting plug; with assembled strain relief housing; 3-pole; Cod. S; Bridge 1-L; 4,00 mm²; brown

www.wago.com/770-1373/147-000



Item no.: 770-1373/148-000

Shorting plug; with assembled strain relief housing; 3-pole; Cod. S; Bridge 2-L; 4,00 mm²; brown

www.wago.com/770-1373/148-000



Item no.: 770-1373/149-000

Shorting plug; with assembled strain relief housing; 3-pole; Cod. S; Bridge 1-2, 2-L; 4,00 mm²; brown

www.wago.com/770-1373/149-000

Downloads

Documentation

Bid Text

| | | | |
|------------------------|-------------|----------------|----------|
| 770-687 X81 - Datei | 2019 Feb 19 | xml 3.0 kB | Download |
| 770-687 doc - Datei | 2015 Mar 12 | doc 24.1 kB | Download |

CAD/CAE-Data

CAE data

| | | |
|------------------------|-----|----------|
| WSCAD Universe 770-687 | URL | Download |
|------------------------|-----|----------|

Subject to changes. Please also observe the further product documentation!

WAGO GmbH & Co. KG
 Hansastr. 27
 32423 Minden
 Phone: +49571 887-0 | Fax: +49571 887-169
 Email: info.de@wago.com | Web: www.wago.com

Do you have any questions about our products?
 We are always happy to take your call at +49 (571) 887-44222.

Environmental Product Compliance

Compliance Search

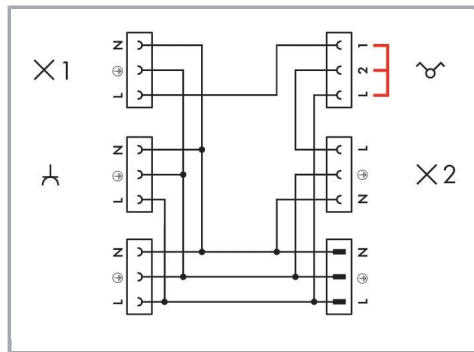
Environmental Product Compliance 770-687

URL

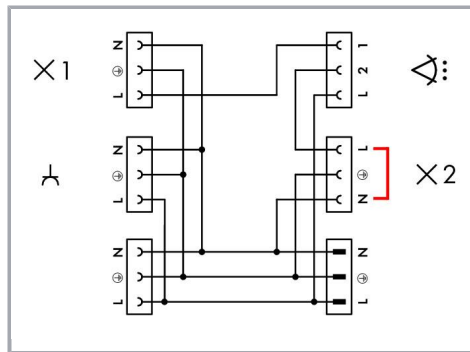
Download

Distribution connector for switches; Single-pole switch and series circuit; 3-pole;
Cod. A/S; 1 input; 5 outputs; white

Installation Notes

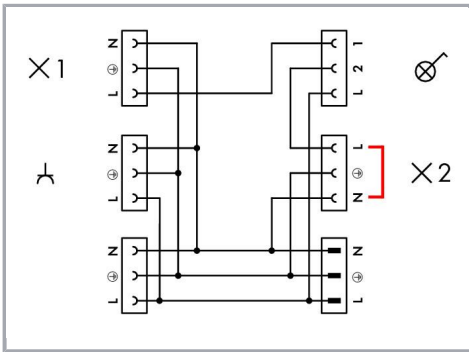


Internal circuit of 770-637 Distribution Connector with possible insertion position of 770-1373/14x-000 Shorting Plug



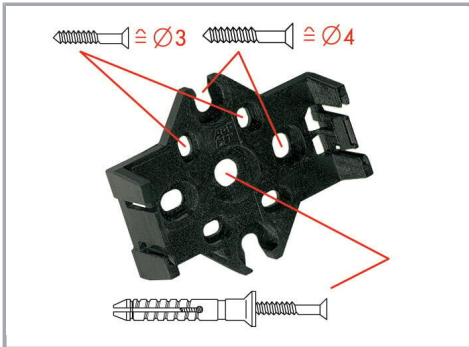
Internal circuit of 770-637 Distribution Connector with insertion position of 770-113 /147-000 Shorting Plug for connecting a motion sensor

Subject to changes. Please also observe the further product documentation!



Internal circuit of 770-637 Distribution Connector with insertion position of 770-113 /147-000 Shorting Plug for connecting a switch with control lamp

Installation



Mounting plates can be secured using commercially available screws or nail-drive anchors.

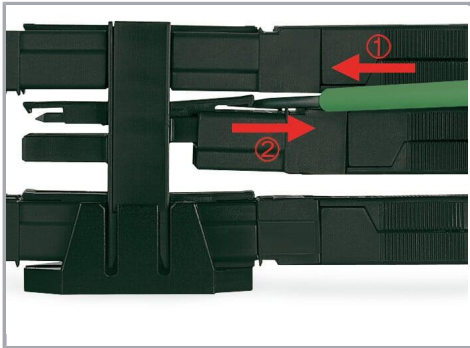


The distribution connectors snap together when attached to the mounting plate.



To release the distribution connector, unlock the latch using a screwdriver.

Subject to changes. Please also observe the further product documentation!



All distribution connector connections are locked and protected against accidental disconnection directly after mating. Locking of any connection is released using a screwdriver, even if all connections are used.

Product family

WINSTA® MIDI

[Show all products from the family](#)

Subject to changes. Please also observe the further product documentation!